

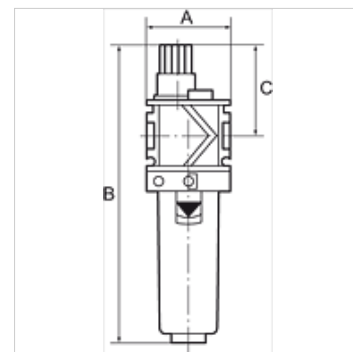
K-NEBELOELER METALLBEHAE S T VARIOB

Oil-mist lubricators with metal bowl, incl. sight glass and metal sight dome

HANSA FLEX

Īpašības

Ieejas spiediens	Max. 16 bar (polycarbonate bowl), Max. 20 bar (metal bowl)
Vielas temperatūra	max. 50 °C
Vides temperatūra	Max. 50 °C (polycarbonate bowl), Max. 80 °C (metal bowl)
Bīvēšanas materiāls	NBR
Korpuss	Die-cast zinc
Pilienu aizsargs	PA
Eļļas veids	CL 32 acc. to DIN 51517 - ISO VG 32
Caurplūdes vērtības mērījums	At P1 = 6 bar and pressure drop $\Delta p = 1$ bar



Norāde

Citi dati pieejami pēc pieprasījuma.

Apraksts

Proportional lubricators, oil can be filled under pressure. Approved series in modern industrial design, with the following key benefits: Simple handling, Convenient modular assembly thanks to innovative fasteners, Excellent flow values.

Pasūtījuma norādes

Oil-mist lubricators are also available with bowl guard or metal bowl.

Izstrādājums

Apzīmējums	Vītnes	Caurplūde (L/min)	A (mm)	B	C (mm)
K- 07 25 09 14	G 1/4	3400	48,0	180,0 mm	60,0
K- 07 25 09 16	G 3/8	4400	48,0	180,0 mm	60,0
K- 07 25 09 18	G 1/2	4600	70,0	224,0 mm	65,0
K- 07 25 09 20	G 3/4	7500	70,0	224,0 mm	65,0
K- 07 25 09 22	G 1	7500	124,0	224,0 mm	65,0

Rezerves daļas

K-ERSATZBEHAELTER VARIOBLOC POLY	Spare tank Polycarbonat
K-TROPFAUFSATZ VARIOBLOC	Drip attachment
K-TROPFAUFSATZ METALL	Drip attachment metal