

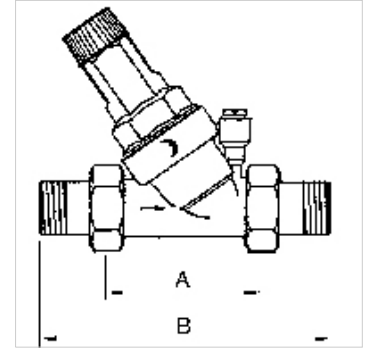
K-DRG SAXONIA M MANO

Pressure regulators

HANSA FLEX

Īpašības

ļeejas spiediens	Max. 16 bar
Darba vides	Drinking water
Ekspluatācijas temperatūra	Max. 30 °C
Bīvēšanas materiāls	NBR
Atsperes korpuss	Plastic
Korpuss	Brass
Sietiņš	Plastic, with control dial for back pressure
Papildu dati	DVGW Zertifikat



Norāde

Citi dati pieejami pēc pieprasījuma.

Apraksts

Diaphragm pressure regulators with pressure-reduced single-seated valve and built-in strainer. These pressure regulators, which are independent of inlet pressure, protect domestic water installations against excessive supply pressure. They can also be used for commercial or industrial purposes providing their specification is adequate.

Izstrādājums

Apzīmējums	Vītnes	DN	Regulēšanas diapazons	Caurplūdes plūsmas koeficients (m ³ /h)	A (mm)	B
K- 07 25 04 72	R 3/4	20	1.5 - 6 bar	3,4	90,0	158,0 mm
K- 07 25 04 73	R 1	25	1.5 - 6 bar	5,3	100,0	184,0 mm
K- 07 25 04 74	R 1 1/4	32	1.5 - 6 bar	8,6	130,0	228,0 mm

Rezerves daļas

K-VENTILAUSTAUSCHSATZ	Valve replacement kit
K-ERSATZSIEBE	Replacement strainer
K-RMM U STAHL	Standard pressure gauges (sheet steel housing / connection radial on bottom)