

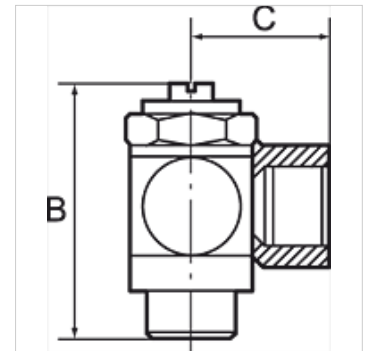
K-DRV SCHNVERSCHR V SCHLITZ

Unidirectional flow control valves, incoming air restriction (»V«), quick-lock screw fitting

HANSA FLEX

Īpašības

Ekspluatācijas spiediens	maks. 10 bar
Temperatūras diapazons	0 °C to +70 °C
Dobskrūve, pagriežama svira, regulēšanas skrūve	Nickel-plated brass
Iekšējās daļas	Brass with a bare metal surface
Blīvgredzena apmales blīvējums	NBR
Blīvējumi (nepazaudējami)	Polyamide (glass fibre-reinforced)



Norāde

Citi dati pieejami pēc pieprasījuma.

Apraksts

For fine regulation of a cylinder piston speed in the forward and return motion and precise control of flow rates. Designed as a banjo-type valve with a hollow bolt and ring piece. Can be screwed directly onto the valve or cylinder to restrict the incoming air. Compact type of construction, also ideal where space is restricted.

Izstrādājums

Apzīmējums	C (mm)	šļūtenei	Vītnes	SW	B (mm)
K- 07 15 05 63	18,0	4 mm / 2,5 mm	M 5	8 mm	24,5
K- 07 15 05 64	19,0	5 mm / 3 mm	M 5	8 mm	24,5
K- 07 15 05 65	19,0	6 mm / 4 mm	M 5	8 mm	24,5
K- 07 15 05 71	23,0	5 mm / 3 mm	G 1/8	14 mm	32,0
K- 07 15 05 72	25,0	6 mm / 4 mm	G 1/8	14 mm	32,0
K- 07 15 05 73	25,0	8 mm / 6 mm	G 1/8	14 mm	32,0
K- 07 15 05 68	26,5	6 mm / 4 mm	G 1/4	17 mm	40,0
K- 07 15 05 69	27,5	8 mm / 6 mm	G 1/4	17 mm	40,0
K- 07 15 05 67	28,5	10 mm / 8 mm	G 1/4	17 mm	40,0
K- 07 15 05 74	30,5	10 mm / 8 mm	G 3/8	20 mm	50,0