

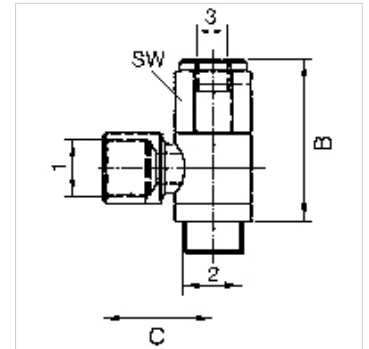
# K-HS RD

Unidirectional banjo valves, pneumatic release, port 2 with female thread

**HANSA FLEX**

## Īpašības

Darba spiediens	0.3 - 10 bar
Regulēšanas spiediens	0.5 - 2.5 bar, depending on operating pressure
Vielas temperatūra	max. 60 °C
Uzstādīšanas stāvoklis	Any. The ring piece must be positioned before the valve is tightened
Materiāls	Niķelēts misiņš
Blīvēšanas materiāls	Perbunan



## Norāde

Citi dati pieejami pēc pieprasījuma.

## Apraksts

For stopping and positioning the cylinder movement: If a control signal is present at port 3 (see drawing), air can flow to and from the cylinder. If no control signal is present, the cylinder exhaust air is shut off by the unidirectional valve. The cylinder is stopped. Releasable unidirectional valves are screwed directly onto the cylinder instead of the normal pipe connections.

## Izstrādājums

Apzīmējums	Port 1	Port 2	Savienojums 3	B (mm)	C (mm)
K- 07 15 07 04	G 1/8	G 1/8	M 5	38,0	21,5
K- 07 15 07 03	G 1/4	G 1/4	G 1/8	43,0	25,4
K- 07 15 07 05	G 3/8	G 3/8	G 1/8	46,0	31,6
K- 07 15 07 02	G 1/2	G 1/2	G 1/8	52,0	32,0