

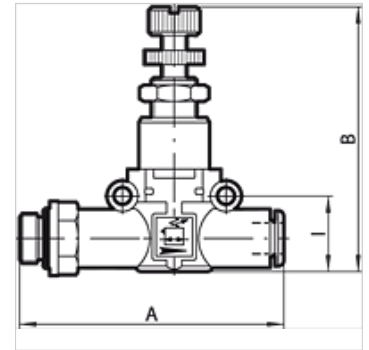
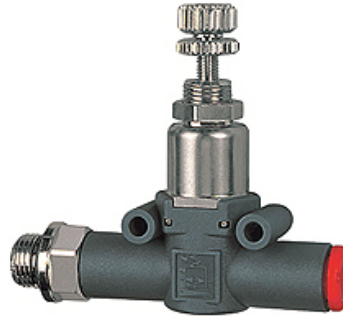
# K-DRG GEW SCHL

Pressure regulators, thread (input) - pipe (output)

**HANSA FLEX**

## Īpašības

<b>Ekspluatācijas spiediens</b>	2 - 10 bar
<b>Caurplūde 6,3 bar</b>	400 NI/min (Ø 6 and G 1/8), 600 NI/min (Ø 8 and G 1/4)
<b>Temperatūras diapazons</b>	-20 °C to +60 °C
<b>Korpuss</b>	Technopolymer
<b>Iekšējās daļas</b>	nickel-plated brass, brass, In technopolymer, stainless steel
<b>Blīvēšanas materiāls</b>	NBR
<b>Montāža</b>	Wall mounting (housing with drilled holes) Bracket mounting (mounting bracket available) Panel mounting (with bracket or lock nut)
<b>Simbols</b>	on the housing



## Norāde

Citi dati pieejami pēc pieprasījuma.

## Apraksts

A carefully selected assortment of products for installation in pneumatic circuits. These small, highly efficient components allow all pneumatic functions to be implemented anywhere in the circuit. The series has an ultramodular design. <br>All components can be installed In parallel, In series, In a mixed parallel / serial configuration. Available as Pipe / pipe connection with two plug connectors Thread / pipe connection, with one plug connector and one nickel-plated brass thread.

## Izstrādājums

Apzīmējums	Vītnes	šļūtenes Ø (mm)	Regulēšanas diapazons	A (mm)	B (mm)	I (mm)
K- 07 25 03 14	G 1/8	6	1 - 8 bar	58,5	52,0	14,6
K- 07 25 03 15	G 1/8	8	1 - 8 bar	61,5	52,0	14,6
K- 07 25 03 12	G 1/4	6	1 - 8 bar	66,2	58,0	18,7
K- 07 25 03 13	G 1/4	8	1 - 8 bar	70,6	58,0	18,7
K- 07 25 03 16	G 3/8	8	1 - 8 bar	72,2	58,0	18,7