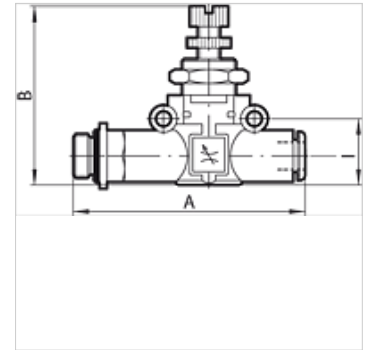


# K-DUFR B GEW SCHL

Flow regulators, flow at both ends, thread - pipe

## Īpašības

<b>Ekspluatācijas spiediens</b>	maks. 10 bar
<b>Caurplūde 6,3 bar</b>	155 l/min (Ø 4), 450 l/min (Ø 6), 850 l/min (Ø 8)
<b>Caurplūde Atgaisošana 6,3 bar</b>	160 l/min (Ø 4), 550 l/min (Ø 6), 950 l/min (Ø 8)
<b>Iestatījums</b>	Manual or screwdriver
<b>Temperatūras diapazons</b>	-20 °C to +60 °C
<b>Korpuss</b>	Technopolymer
<b>Iekšējās daļas</b>	nickel-plated brass, brass, technopolymer, stainless steel
<b>Bīvēšanas materiāls</b>	NBR
<b>Montāža</b>	Wall mounting (housing with drilled holes) Bracket mounting (mounting bracket available) Panel mounting (with bracket or lock nut)
<b>Simbols</b>	on the housing



## Norāde

Citi dati pieejami pēc pieprasījuma.

## Apraksts

A carefully selected assortment of products for installation in pneumatic circuits. These small, highly efficient components allow all pneumatic functions to be implemented anywhere in the circuit. The series has an ultramodular design. All components can be installed in parallel, in series, in a mixed parallel / serial configuration. Available as Pipe / pipe connection with two plug connectors Thread / pipe connection, with one plug connector and one nickel-plated brass thread.

## Izstrādājums

Apzīmējums	Vītnes	šļūtenes Ø (mm)	A (mm)	B (mm)	l (mm)
K- 07 15 06 02	M 5	4	47,7	35,0	12,7
K- 07 15 06 05	G 1/8	4	51,6	35,0	12,7
K- 07 15 06 06	G 1/8	6	58,5	40,0	14,6
K- 07 15 06 07	G 1/8	8	61,5	40,0	14,6
K- 07 15 06 03	G 1/4	6	66,2	49,0	18,7
K- 07 15 06 04	G 1/4	8	70,6	49,0	18,7
K- 07 15 06 08	G 3/8	8	72,2	49,0	18,7