

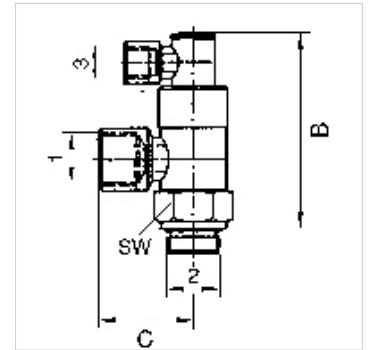
K-STOPPVENTILE IG

Stop valves, ports 2 and 3 with female thread

HANSA FLEX

Īpašības

Darba spiediens	Max. 10 bar
Regulēšanas spiediens	1 - 5 bar, depending on operating pressure
Vielas temperatūra	max. 70 °C
Uzstādīšanas stāvoklis	Any. Ring pieces can still be rotated 360° after the valve has been tightened
Materiāls	Niķelēts misiņš
Blīvēšanas materiāls	Perbunan



Norāde

Citi dati pieejami pēc pieprasījuma.

Apraksts

For high-speed positioning and stop functions as well as emergency switching (e.g. emergency stop). If a control signal is present at port 3, air can flow to and from the cylinder. If no control signal is present, the air flow to and from the cylinder is shut off, causing the cylinder to stop in the required position. Stop valves are screwed directly onto the cylinder instead of the normal pipe connections.

Izstrādājums

Apzīmējums	Port 1	Port 2	Savienojums 3	B (mm)	C (mm)
K- 07 15 20 46	G 1/8	G 1/8	G 1/8	52,0	21,0
K- 07 15 20 45	G 1/4	G 1/4	G 1/8	58,0	25,0
K- 07 15 20 47	G 3/8	G 3/8	G 1/8	63,0	31,0
K- 07 15 20 44	G 1/2	G 1/2	G 1/8	72,0	40,0