

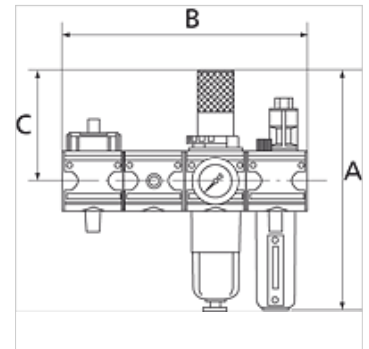
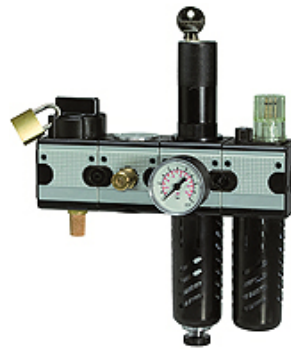
K-WTST SAFETY BKR SCHA AN 2T MULTI

SAFETY service unit sets, comprising a ball valve with silencer, start-up valve and 2-piece service unit with lock cylinder

HANSA FLEX

Īpašības

| | |
|--|--|
| Ieejas spiediens | 2 - 16 bar |
| Izejas spiediens | 0.5 - 10 bar |
| Temperatūras diapazons | Max. 60 °C |
| Darba vides | Saspiests gaiss |
| Blīvēšanas materiāls | NBR |
| Tvertne | Polycarbonate (with bayonet lock) and bowl guard |
| Atsperes korpuss | POM |
| Filtra elements | Cellpor (PE) 5 µm |
| Korpuss | Die-cast zinc |
| Membrāna | NBR |
| Drain valve | Semi-automatic |
| Caurplūdes vērtības mērījums | At P1 = 8 bar, P2 = 6 bar and pressure drop $\Delta p = 1$ bar |
| Papildu dati | see data sheets of the individual components (on request) |
| Atgaisošanas pieslēgums Lodveida krāns | Silencer |



Apraksts

These compressed air service unit sets, comprising a ball valve with silencer, a start-up valve and one out of a pressure regulator, filter regulator or service unit, meet even the strictest requirements for operating reliability and accident prevention!

Pasūtījuma norādes

The price does not include a padlock. Please order separately. For accessories and spare parts, refer to individual components: ball valve, start-up valve, pressure regulator, filter regulator, 2-piece service unit.

Izstrādājums

| Apzīmējums | Vītnes | Caurplūde (L/min) | A (mm) | B | C (mm) | Kondensāta notece |
|----------------|--------|-------------------|--------|----------|--------|-------------------|
| K- 07 25 15 17 | G 1/4 | 1000 | 219,1 | 182,8 mm | 94,0 | Semi-automatic |
| K- 07 25 15 18 | G 1/2 | 3550 | 269,3 | 266,8 mm | 122,0 | Semi-automatic |
| K- 07 25 15 19 | G 1 | 9800 | 410,8 | 382,8 mm | 157,0 | Semi-automatic |