

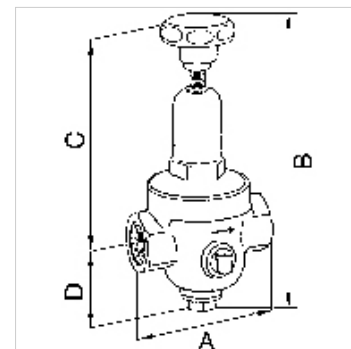
K-DRG DRV 250 NIEDERDRUCK

DRV 250 pressure regulators, low-pressure type

HANSA FLEX

Īpašības

Ieejas spiediens	Max. 25 bar (Series 200 and 300 Series), Max. 40 bar (400 Series)
Temperatūras diapazons	Max. 75 °C
Samazināšanas process	Max. 10:1 (200 Series), Max. 20:1 (300 Series), Max. 6:1 (400 Series)
Bīvēšanas materiāls	NBR
Atsperes korpus	Pressed brass up to DN 25, Grey cast iron from DN 32
Korpuss	Red brass 2.1096.01



Norāde

Citi dati pieejami pēc pieprasījuma.

Apraksts

Diaphragm pressure regulators with non-self-relieving design and non-pressure-reduced single-seated valve. Very precise adjustment. Good response characteristic because of only a few moving parts which hence minimal friction. Ideal for compressed air, nitrogen and other neutral, non-flammable gases, but only suitable for liquids with comparatively low flow rates.

Pasūtījuma norādes

Citi modeļi pēc pieprasījuma

Papildu informācija

Citi modeļi pēc pieprasījuma

Izstrādājums

Apzīmējums	Vītnes	Regulēšanas diapazons	Caurplūdes plūsmas koeficients (m ³ /h)	A (mm)	B	C (mm)	D (mm)
K- 07 25 04 94	G 1/4	0.2 - 2 bar	0,5	70,0	185,5 mm	140,0	45,5
K- 07 25 04 95	G 3/8	0.2 - 2 bar	0,6	70,0	185,5 mm	140,0	45,5
K- 07 25 04 96	G 1/2	0.2 - 2 bar	1,2	85,0	232,5 mm	186,0	46,5

Rezerves daļas

K-VERSCHLEI-SATZ Set of wearing parts