

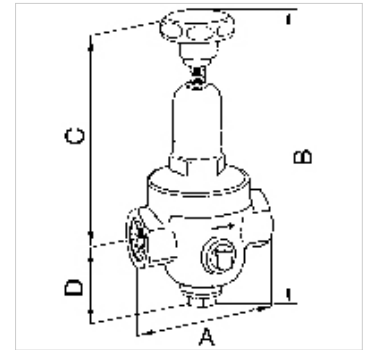
K-DRG DRV 200 STANDARD

DRV 200 pressure regulators, standard type

HANSA FLEX

Īpašības

| | |
|-------------------------------|---|
| Ieejas spiediens | Max. 25 bar (Series 200 and 300 Series), Max. 40 bar (400 Series) |
| Temperatūras diapazons | Max. 75 °C |
| Samazināšanas process | Max. 10:1 (200 Series), Max. 20:1 (300 Series), Max. 6:1 (400 Series) |
| Bīvēšanas materiāls | NBR |
| Atsperes korpus | Pressed brass up to DN 25, Grey cast iron from DN 32 |
| Korpuss | Red brass 2.1096.01 |



Norāde

Citi dati pieejami pēc pieprasījuma.

Apraksts

Diaphragm pressure regulators with non-self-relieving design and non-pressure-reduced single-seated valve. Very precise adjustment. Good response characteristic because of only a few moving parts which hence minimal friction. Ideal for compressed air, nitrogen and other neutral, non-flammable gases, but only suitable for liquids with comparatively low flow rates.

Pasūtījuma norādes

Citi modeļi pēc pieprasījuma

Papildu informācija

Citi modeļi pēc pieprasījuma

Izstrādājums

| Apzīmējums | Vītnes | Regulēšanas diapazons | Caurplūdes plūsmas koeficients (m ³ /h) | A (mm) | B | C (mm) | D (mm) |
|----------------|---------|-----------------------|--|--------|----------|--------|--------|
| K- 07 25 04 86 | G 1/4 | 1.5 - 8 bar | 0,5 | 70,0 | 167,0 mm | 120,0 | 47,0 |
| K- 07 25 04 87 | G 3/8 | 1.5 - 8 bar | 0,6 | 70,0 | 168,0 mm | 121,0 | 47,0 |
| K- 07 25 04 88 | G 1/2 | 1.5 - 8 bar | 1,2 | 85,0 | 188,5 mm | 142,0 | 46,5 |
| K- 07 25 04 89 | G 3/4 | 1.5 - 8 bar | 1,3 | 85,0 | 189,5 mm | 143,0 | 46,5 |
| K- 07 25 04 90 | G 1 | 1.5 - 8 bar | 1,6 | 95,0 | 242,0 mm | 186,0 | 56,0 |
| K- 07 25 04 91 | G 1 1/4 | 1.5 - 8 bar | 4,2 | 104,0 | 323,0 mm | 262,0 | 61,0 |
| K- 07 25 04 92 | G 1 1/2 | 1.5 - 8 bar | 4,5 | 108,0 | 323,0 mm | 262,0 | 61,0 |
| K- 07 25 04 93 | G 2 | 1.5 - 8 bar | 7,2 | 146,5 | 376,0 mm | 306,0 | 70,0 |

Rezerves daļas

K-VERSCHLEI-SATZ Set of wearing parts