

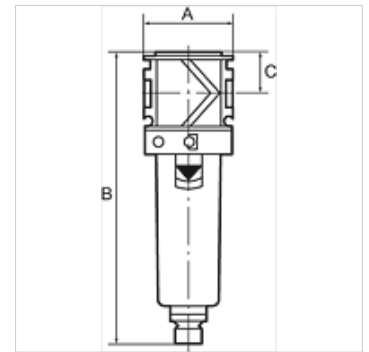
K-FI PC-BEHÄLTER SCHUTZ VARIOBLOC

Filters with polycarbonate bowl and bowl guard

HANSA FLEX

Īpašības

Ieejas spiediens	Max. 16 bar (polycarbonate bowl), Max. 20 bar (metal bowl)
Vielas temperatūra	max. 50 °C
Vides temperatūra	Max. 50 °C (polycarbonate bowl), Max. 80 °C (metal bowl)
Poru attālums filtra elementā	40 µm
Blīvēšanas materiāls	NBR
Korpuss	Die-cast zinc
Drain valve	Manual
Caurplūdes vērtības mērījums	At P1 = 6 bar and pressure drop $\Delta p = 1$ bar



Norāde

Citi dati pieejami pēc pieprasījuma.

Apraksts

Centrifugal separator with a sintered filter element. Filtration takes place in a 2-stage process comprising cyclone separation (condensate) and a PE filter element (particles). Approved series in modern industrial design, with the following key benefits: Simple handling, Convenient modular assembly thanks to innovative fasteners, Excellent flow values.

Pasūtījuma norādes

Filters are also available with bowl guard or metal bowl.

Izstrādājums

Apzīmējums	Vītne	Caurplūde (L/min)	A (mm)	B	C (mm)
K- 07 25 23 06	G 1/4	1800	48,0	155,0 mm	22,0
K- 07 25 23 05	G 3/8	2000	48,0	155,0 mm	22,0
K- 07 25 23 04	G 1/2	3200	70,0	202,0 mm	26,0
K- 07 25 23 03	G 3/4	3500	70,0	202,0 mm	26,0
K- 07 25 23 02	G 1	3500	124,0	202,0 mm	26,0