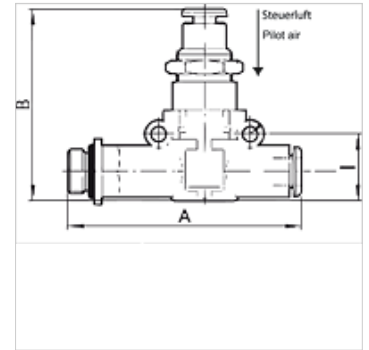
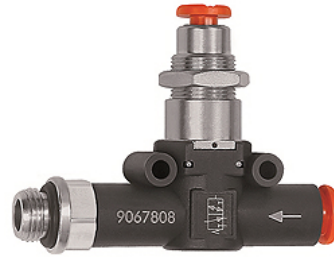


K-WV 3/2 SCHL GEW

3/2-way valve, pipe (input) - thread (output)

Īpašības

Ekspluatācijas spiediens	maks. 10 bar
Caurplūde 6,3 bar, p=1 bar	400 NI/min (Ø 6), 790 NI/min (Ø 8)
Regulēšanas gaisa pieslēgums	4 mm
Temperatūras diapazons	-20 °C to +60 °C
Vārsta funkcija	NC
Korpuss	Technopolymer
Iekšējās daļas	nickel-plated brass, brass, technopolymer, stainless steel
Bīvēšanas materiāls	NBR
Montāža	Wall mounting (housing with drilled holes) Bracket mounting (mounting bracket available) Panel mounting (with bracket or lock nut)
Simbols	on the housing



Norāde

Citi dati pieejami pēc pieprasījuma.

Apraksts

A carefully selected assortment of products for installation in pneumatic circuits. These small, highly efficient components allow all pneumatic functions to be implemented anywhere in the circuit. The series has an ultramodular design. All components can be installed in parallel, in series, in a mixed parallel / serial configuration. Available as Pipe / pipe connection with two plug connectors Thread / pipe connection, with one plug connector and one nickel-plated brass thread.

Izstrādājums

Apzīmējums	Vītnes	šļūtenes Ø (mm)	A (mm)	B (mm)	l (mm)
K- 07 15 25 50	G 1/8	6	58,5	43,2	14,6
K- 07 15 25 51	G 1/8	8	66,2	49,7	18,7
K- 07 15 25 48	G 1/4	6	61,5	43,2	14,6
K- 07 15 25 49	G 1/4	8	70,6	49,7	18,7
K- 07 15 25 52	G 3/8	8	72,2	49,7	18,7