

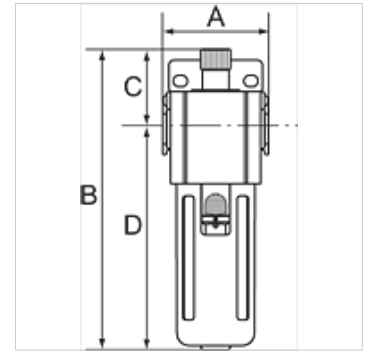
K-NEBELOELER PC-BEHAEALTER HW G-MINI

Oil-mist lubricators

HANSA FLEX

Īpašības

| | |
|------------------------------|--|
| ļeejas spiediens | Max. 10 bar |
| Vielas temperatūra | max. 70 °C |
| Vides temperatūra | Max. 70 °C |
| Darba spiediens | 0.5 - 9 bar |
| Blīvēšanas materiāls | NBR |
| Atsperes korpus | POM |
| Korpuss | Die-cast aluminium |
| Pilienu aizsargs | Brass/POM |
| Caurplūdes vērtības mērījums | At P1 = 8 bar, P2 = 6 bar and pressure drop $\Delta p = 1$ bar |
| Papildu dati | User manual on request |



Izstrādājums

| Apzīmējums | Vītnes | Caurplūde (L/min) | A (mm) | B | C (mm) | D (mm) | Tipizmērs |
|----------------|--------|-------------------|--------|----------|--------|--------|-----------|
| K- 07 25 08 75 | G 1/8 | 1950 | 38,0 | 119,0 mm | 39,0 | 80,0 | 200 |
| K- 07 25 08 76 | G 1/4 | 1950 | 38,0 | 119,0 mm | 39,0 | 80,0 | 200 |

Piederumi

| | |
|-------------------------------------|---|
| K-ERSATZBEHAELTER G UND G-MINI POLY | Spare tanks »G« Series and »G-mini« Series Polycarbonat |
| K-HALTERBAUSATZ | Holder |
| K-VERBINDUNGELEMENTE | Connecting sets |
| K-WANDHALTER | Wall bracket |