

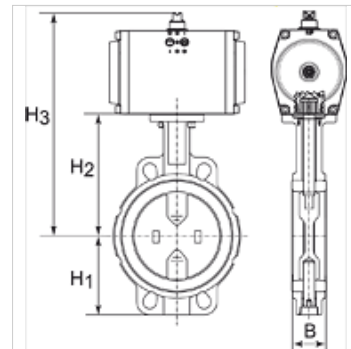
K-ZFL ABSP-KLAPPEN EINFACH

Butterfly valves, with single-acting actuator - spring to close, min. pilot pressure 5 bar

HANSA FLEX

Īpašības

Modelis	Pneumatic actuators, in double- or single acting version
Ekspluatācijas spiediens	Max. 16 bar
Ekspluatācijas temperatūra	-15 °C to +120 °C
Darba vides	Water / steam, salt water, salt water, ester, ketone, alkali, caustic soda, sodium hydroxide. Not recommended for hydrocarbons
Regulēšanas spiediens	5.5 bar
Vārsta adapteris	Supplied as standard, operated by a 3/2- or 5/2-way valve
Griešanas leņķis	90 °
Piedziņa	aluminium eloxed
Piedziņas blīvējums	NBR
Korpuss	Grey cast iron GG25 epoxy resin coated, RAL 5015
Blīvējums	EPDM
Vārpsta	SS416
Vārpstas blīvējums	EPDM
Vadība	



Norāde

Citi dati pieejami pēc pieprasījuma.

Izstrādājums

Apzīmējums	Paplāksne	DN	B (mm)	H1 (mm)	H2 (mm)	H3 (mm)	L (mm)
K- 07 30 03 36	Stainless Steel CF8M/1.4404	40	38,0	68,0	108,0	238,0	94,0
K- 07 30 03 37	Stainless Steel CF8M/1.4404	50	47,0	71,0	143,0	273,0	100,0
K- 07 30 03 38	Stainless Steel CF8M/1.4404	65	49,0	78,0	155,0	285,0	115,0
K- 07 30 03 39	Stainless Steel CF8M/1.4404	80	47,0	89,0	162,0	292,0	127,0
K- 07 30 03 40	Stainless Steel CF8M/1.4404	100	56,0	102,0	178,0	348,0	163,0
K- 07 30 03 42	Stainless Steel CF8M/1.4404	125	59,0	123,0	191,0	361,0	190,0
K- 07 30 03 44	Stainless Steel CF8M/1.4404	150	59,0	138,0	265,0	395,0	216,0