

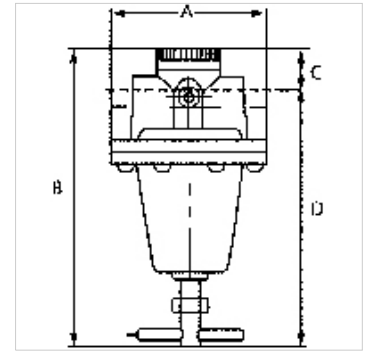
K-HOCHDRUCKREGLER 60 BAR

High-pressure regulators up to 60 bar

HANSA FLEX

Īpašības

Izmantošana	Compressed air and other neutral, non-flammable gases
Ieejas spiediens	Max. 60 bar
Ekspluatācijas temperatūra	-10 °C to +90 °C
Bīvēšanas materiāls	NBR
Materiāls	Misiņš
Caurplūdes vērtības mērījums	At P1 = 20 bar, P2 = 10 bar and pressure drop $\Delta p = 4$ bar



Norāde

Citi dati pieejami pēc pieprasījuma.

Apraksts

Reversible piston-type pressure regulator, virtually independent of inlet pressure, with self-relieving design, manufactured entirely in brass. Specially designed for high pressures up to 60 bar. Pressure catch with counter nut.

Izstrādājums

Apzīmējums	Vītnes	Regulēšanas diapazons	Caurplūde (L/min)	A (mm)	B	C (mm)	D (mm)
K- 07 25 08 19	G 3/8	0.5 - 12 bar	1400	72,0	164,0 mm	31,0	133,0
K- 07 25 08 20	G 3/8	1 - 20 bar	1400	72,0	164,0 mm	31,0	133,0
K- 07 25 08 21	G 3/8	2 - 35 bar	1400	72,0	164,0 mm	31,0	133,0
K- 07 25 08 22	G 3/8	2 - 50 bar	1400	72,0	164,0 mm	31,0	133,0
K- 07 25 08 23	G 1	0.5 - 12 bar	5000	118,0	257,0 mm	51,0	206,0
K- 07 25 08 24	G 1	1 - 20 bar	5000	118,0	257,0 mm	51,0	206,0
K- 07 25 08 25	G 1	2 - 35 bar	5000	118,0	257,0 mm	51,0	206,0
K- 07 25 08 26	G 1	3 - 50 bar	5000	118,0	257,0 mm	51,0	206,0

Piederumi

K-HALTERBAUSATZ	Holder
K-SCHALTTAFELBEFESTIGUNG	Switchboard attachment

Rezerves daļas

K-DICHTKEGEL KOMPL	Cone seal complete
--------------------	--------------------