

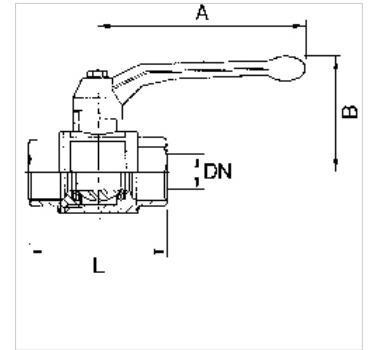
K-BKR BLAU STAHLHEBEL IG AG

Ball valves with blue steel lever, lightweight type, female/male thread

HANSA FLEX

Īpašības

Izmantošana	Compressed air, water, non-toxic and non-corrosive gases, heating systems, agriculture
Ekspluatācijas spiediens	Max. 40 bar
Ekspluatācijas temperatūra	-15 °C to +90 °C
Vītnes apraksts	G thread acc. DIN EN ISO 228-1
Korpuss	Nickel-plated brass
Svira	Steel, with plastic coating
Lode	Chrome-plated brass
Lodes blīvējums	PTFE
Vārpstas blīvējums	HNBR / EPDM / PTFE. 2 O-Rings (HNBR / EPDM) 1 gasket (PTFE) additional PTFE-gasket



Norāde

Citi dati pieejami pēc pieprasījuma.

Izstrādājums

Apzīmējums	DN	Vītnes	A (mm)	B (mm)	L (mm)
K- 07 30 00 48	8	G 1/4	85,0	42,0	44,0
K- 07 30 00 52	10	G 3/8	85,0	42,0	51,0
K- 07 30 00 56	15	G 1/2	85,0	46,0	60,0
K- 07 30 00 60	20	G 3/4	105,0	53,0	70,0
K- 07 30 00 64	25	G 1	105,0	57,0	79,0
K- 07 30 00 68	32	G 1 1/4	130,0	70,0	91,0
K- 07 30 00 72	40	G 1 1/2	130,0	76,0	104,0
K- 07 30 00 76	50	G 2	165,0	92,0	122,0