

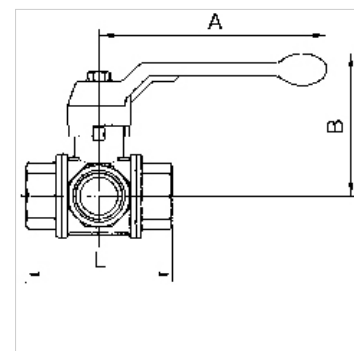
K-3 BKR T VA LEICHT

3-way ball valves, T-bore, lightweight type

HANSA FLEX

Īpašības

Vītnes apraksts	Rp thread acc. to ISO 7-1
Vielas temperatūra	-15 °C to max. +100 °C
Bīvēšanas materiāls	PTFE
Atspere	Stainless-steel
Korpuss un lode	Nickel-plated brass
Svira	Aluminium, painted black



Norāde

Citi dati pieejami pēc pieprasījuma.

Apraksts

Sealing on all sides with T-bore. In contrast to the 1084 series, the lever of this model can only be turned 90° rather than 180°. Only two valve positions are therefore possible instead of four.

Izstrādājums

Apzīmējums	DN	Vītnes	A (mm)	B (mm)	Lodes urbums	L (mm)	maks. ekspluatācijas spiediens pie 20 °C (bar)
K- 07 30 19 68	15	Rp 1/2	130,0	85,0	13	80,0	40
K- 07 30 19 69	20	Rp 3/4	160,0	98,0	18	96,0	40
K- 07 30 19 70	25	Rp 1	160,0	102,0	23	113,0	25
K- 07 30 19 71	32	Rp 1 1/4	195,0	121,0	29	130,0	16
K- 07 30 19 72	40	Rp 1 1/2	195,0	125,0	35	147,0	16
K- 07 30 19 73	50	Rp 2	235,0	141,0	44	169,0	16