

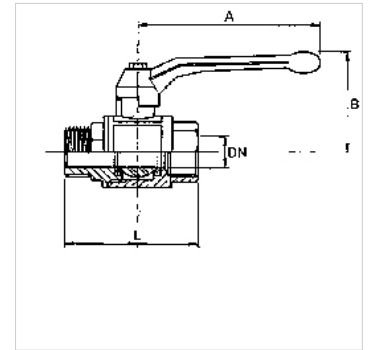
# K-BKR LANG IG AG

Ball valves, long-threaded type, female/male thread

**HANSA FLEX**

## Īpašības

<b>Izmantošana</b>	Compressed air, water, non-toxic and non-corrosive gases, heating systems, agriculture
<b>Ekspluatācijas spiediens</b>	Max. 40 bar
<b>Ekspluatācijas temperatūra</b>	-15 °C to +90 °C
<b>Vītnes apraksts</b>	Thread acc. to ISO 7-1
<b>Korpuss</b>	Nickel-plated brass
<b>Svira</b>	Aluminium, painted black
<b>Lode</b>	Chrome-plated brass
<b>Lodes blīvējums</b>	PTFE
<b>Vārpstas blīvējums</b>	NBR / EPDM



## Norāde

G thread acc. to DIN EN ISO 228-1, with ISO flange plate (acc. to ISO 5211)

Citi dati pieejami pēc pieprasījuma.

## Pasūtījuma norādes

For use on devices that have to be vented whenever they are turned off, either because of safety regulations or for technical reasons. The pneumatic devices are disconnected from the system and simultaneously vented each time they are shut off.

## Papildu informācija

The pressure values refer to a maximum operating temperature of 40 °C. Lower maximum pressure apply at higher temperatures. See data sheet.

## Izstrādājums

Apzīmējums	DN	Vītnes	A (mm)	B (mm)	L (mm)
K- 07 30 21 37	8	Rp/R 1/4	85,0	42,0	52,0
K- 07 30 21 38	10	Rp/R 3/8	85,0	42,0	54,0
K- 07 30 21 39	15	Rp/R 1/2	85,0	46,0	67,0
K- 07 30 21 40	20	Rp/R 3/4	105,0	53,0	78,0
K- 07 30 21 41	25	Rp/R 1	105,0	57,0	89,0
K- 07 30 21 42	32	Rp/R 1 1/4	130,0	70,0	103,0
K- 07 30 21 43	40	Rp/R 1 1/2	130,0	76,0	113,0
K- 07 30 21 44	50	Rp/R 2	165,0	92,0	136,0