

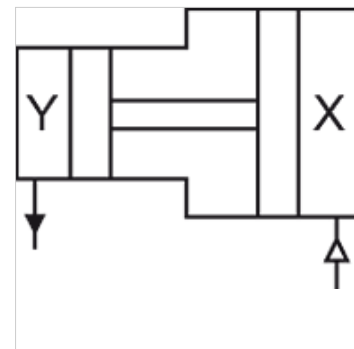
# K-DVST OHNE REGLER

Pressure booster without regulator

**HANSA FLEX**

## Īpašības

Ieejas spiediens	2 - 10 bar
Izejas spiediens	Max. 20 bar (regulated: max. 16 bar)
Temperatūras diapazons	-10 °C to +50 °C (40 mm bore), -10 °C to +60 °C (63 mm bore)
Darba vides	Filtered, unlubricated or lubricated compressed air (if lubrication is used, it must be continuous)
Blīvēšanas materiāls	NBR
Spiediena regulators	With plastic body
Korpuss	Aluminium, anodised
Caurule	Anodised aluminium jacket
Montāža	Any position, with 4 mounting holes
P2:P1	2:1



## Norāde

For information about calculating the filling times for different tank sizes, refer to the above-mentioned data sheet available on our website  
Citi dati pieejami pēc pieprasījuma.

## Apraksts

Pressure multipliers (boosters) allow a separate compressed air store with up to double pressure to be installed for selected devices in a compressed air system without an external energy source, i.e. it is possible to work with a maximum pressure of 20 bar in a standard 10 bar system (maximum ratio 2:1). This is achieved using a double piston, which is operated by a combination of integrated check valves in such a way that the booster works automatically until the target pressure is reached in a compressed air tank and is then automatically switched off. A tank is always required to build up the pressure and store the compressed air!

## Papildu informācija

Fixing bracket with nut

## Izstrādājums

Apzīmējums	Savienojums	Ø virzumim (mm)	H (mm)	L (mm)
K- 07 25 08 64	G 1/8	40,0	64,0	194,0
K- 07 25 08 66	G 3/8	63,0	98,0	290,0

## Piederumi

K-ZUBEH ERSATZ LUFT BOOSTER Accessories / spare parts for Air-air-multiplier (booster)