

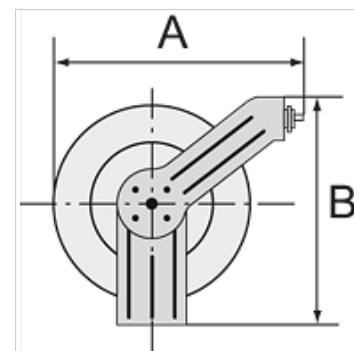
K-SCHL-AUFROLLER SCHWEISS

Hose reel, welding type

HANSA FLEX

Īpašības

Šūtenes	Welding hose for oxygen and acetylene, red and blue, made from synthetic rubber.
Ekspluatācijas spiediens	maks. 10 bar
Stiprinājums	Wall, floor or ceiling
Ieeja	Oxygen G 1/4 male, right-hand thread with 60° inside cone, Acetylene G 3/8 male, left-hand thread with 60° inside cone



Norāde

Citi dati pieejami pēc pieprasījuma.

Apraksts

Heavy-duty steel design for industrial applications. Blue, powder-coated housing. Special reel guide prevents excessive wear on the hose. An automatic latching mechanism allows the hose to be engaged at any length. Enclosed spring. Precise locking device for continuous feeding or latching mechanism.

Izstrādājums

Apzīmējums	Šūtenes izmērs	Augstums (mm)	Diametrs (mm)	Šūtenes garums (m)
K- 07 10 06 28	Oxygen: 16.5 mm x 6 mm, Acetylene: 17 mm x 10 mm	360	320	15