

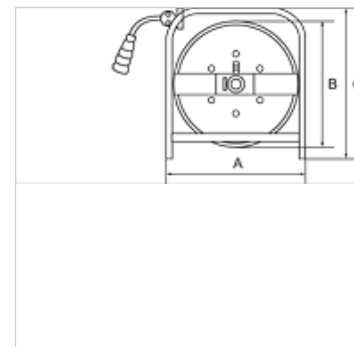
# K-SCHL-AUFROLLER MOBIL

Hose reels for mobile applications

**HANSA FLEX**

## Īpašības

Šūtenes materiāls	Polyurethane
Ekspluatācijas spiediens	maks. 10 bar
Ekspluatācijas temperatūra	-10 °C to +40 °C
Ieeja	Hose stem 8 mm
Pieslēguma vītne	Coupling G 3/8



## Norāde

Citi dati pieejami pēc pieprasījuma.

## Apraksts

Specially designed for mobile applications. This 50 m long polyurethane hose is mounted in a portable four-wheel cart made from blue anodised steel. An automatic latching mechanism allows the hose to be engaged at any length. Enclosed spring. Precise locking device for continuous feeding or latching mechanism. Reel guide prevents excessive wear on the hose.

## Izstrādājums

Apzīmējums	Šūtenes izmērs	A (mm)	B (mm)	C (mm)	Šūtenes garums (m)
K- 07 10 06 16	12 mm x 8 mm	452,0	400,0	460,0	50