

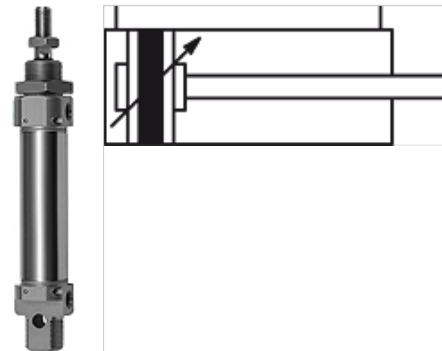
K-RUNDZYLINDER DOPP M D

Rundzylinder, doppeltwirkend (mit Magnet, mit einstellbarer Dämpfung)

HANSA FLEX

Īpašības

Darba vides	Filtered, unlubricated or lubricated compressed air. If lubrication is used, it must be continuous.
Darba spiediens	Max. 10 bar
Sākuma spiediens	0,8 bar (Ø 8 bis Ø 12), 0,6 bar (Ø 16 bis Ø 25)
Temperatūras diapazons	-10 °C to +80 °C
Uzstādīšana	Flanged joint between stainless steel barrel and heads
Virzulkāts	C45 steel, hard chrome-plated
Caurule	Stainless steel 1.4301
Virzulis	Synthetic (acetal) resin
Bīvēšanas materiāls	NBR



Norāde

Maximum recommended stroke: Double-acting: Ø 8 - Ø 10 = 100 stroke, Ø 12 - Ø 16 = 200 stroke, Ø 20 - Ø 25 = 250 stroke

Single-acting: Ø 8 - Ø 25 = 50 stroke. Longer stroke lengths can cause operational malfunctions.

Citi dati pieejami pēc pieprasījuma.

Apraksts

Single and double-acting cylinders, with magnetic piston.

Papildu informācija

Important: The scope of supply does not include a connector. Please order separately.

Izstrādājums

Apzīmējums	Ø virzulim	Gājiens (mm)	Savienojums	Virzulkāta vītne
K- 07 15 24 89	16 mm	10	M 5	M 6
K- 07 15 24 90	16 mm	25	M 5	M 6
K- 07 15 24 91	16 mm	50	M 5	M 6
K- 07 15 24 92	16 mm	80	M 5	M 6
K- 07 15 24 93	16 mm	100	M 5	M 6
K- 07 15 24 94	16 mm	125	M 5	M 6
k- 07 15 24 95	16 mm	160	M 5	M 6
K- 07 15 24 96	16 mm	200	M 5	M 6
K- 07 15 24 97	20 mm	10	G 1/8	M 8
K- 07 15 24 98	20 mm	25	G 1/8	M 8
K- 07 15 24 99	20 mm	50	G 1/8	M 8
K- 07 15 25 00	20 mm	80	G 1/8	M 8
K- 07 15 25 01	20 mm	100	G 1/8	M 8
K- 07 15 25 02	20 mm	125	G 1/8	M 8
K- 07 15 25 03	20 mm	160	G 1/8	M 8
K- 07 15 25 04	20 mm	200	G 1/8	M 8
K- 07 15 25 05	20 mm	250	G 1/8	M 8
K- 07 15 25 06	25 mm	10	G 1/8	M 10 x 1.25
K- 07 15 25 07	25 mm	25	G 1/8	M 10 x 1.25
K- 07 15 24 88	25 mm	50	G 1/8	M 10 x 1.25
K- 07 15 25 08	25 mm	80	G 1/8	M 10 x 1.25
K- 07 15 25 09	25 mm	100	G 1/8	M 10 x 1.25
K- 07 15 25 10	25 mm	125	G 1/8	M 10 x 1.25
K- 07 15 25 11	25 mm	160	G 1/8	M 10 x 1.25
K- 07 15 25 12	25 mm	200	G 1/8	M 10 x 1.25
K- 07 15 25 13	25 mm	250	G 1/8	M 10 x 1.25