

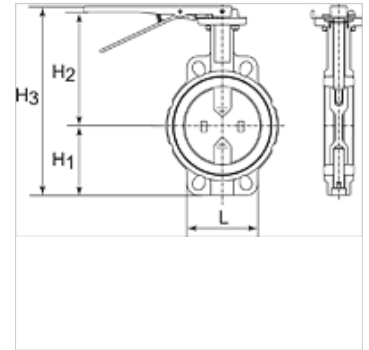
K-ZFL ABSP-KLAPPEN

Butterfly valves

HANSA FLEX

Īpašības

Ekspluatācijas spiediens	Max. 16 bar
Ekspluatācijas temperatūra	-15 °C to +120 °C
Darba vides	Water / steam, salt water, salt water, ester, ketone, alkali, caustic soda, sodium hydroxide. Not recommended for hydrocarbons
Temperatūras diapazons	-20 °C to +120 °C
Korpuss	Grey cast iron GG25 epoxy resin coated, RAL 5015
Bļivējums	EPDM
Vārpsta	SS416
Vārpstas bļivējums	EPDM
Svira	GG25 epoxy resin coated



Norāde

Citi dati pieejami pēc pieprasījuma.

Izstrādājums

Apzīmējums	Paplāksne	DN	B (mm)	H1 (mm)	H2 (mm)	H3 (mm)	L (mm)
K- 07 30 03 45	Stainless Steel CF8M/1.4404	40	38,0	68,0	94,0	198,0	94,0
K- 07 30 03 46	Stainless Steel CF8M/1.4404	50	47,0	71,0	143,0	236,0	100,0
K- 07 30 03 47	Stainless Steel CF8M/1.4404	65	49,0	78,0	155,0	255,0	115,0
K- 07 30 03 48	Stainless Steel CF8M/1.4404	80	47,0	89,0	162,0	273,0	127,0
K- 07 30 03 49	Stainless Steel CF8M/1.4404	100	56,0	102,0	178,0	302,0	163,0
K- 07 30 03 50	Stainless Steel CF8M/1.4404	125	59,0	123,0	191,0	336,0	190,0
K- 07 30 03 51	Stainless Steel CF8M/1.4404	150	59,0	138,0	205,0	365,0	216,0