

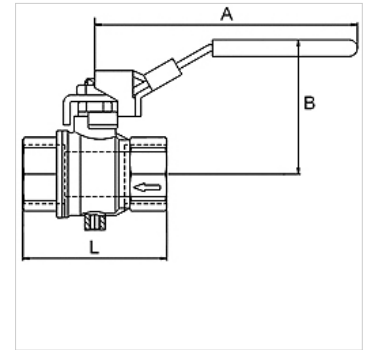
# K-S-BKR M ENTL-BOHR ABSCHL

Safety ball valves, lockable, with relief port

**HANSA FLEX**

## Īpašības

Ekspluatācijas temperatūra	-10 °C to + 100 °C (depending on operating pressure)
Atgaisošanas atvere	M 5 (>1": Relief port G 1/4")
Vītnes apraksts	Rp thread acc. to EN 10226
Korpuss	Nickel-plated brass
Svira	Steel - PVC coated
Lode	hardchrome-plated brass
Lodes blīvējums	PTFE
Vārpstas blīvējums	PTFE



## Norāde

G thread acc. to DIN EN ISO 228-1, with ISO flange plate (acc. to ISO 5211)

Citi dati pieejami pēc pieprasījuma.

## Apraksts

2/2-way safety ball valves, two parts, made of nickel-plated brass. Specially designed for pneumatic applications. The valve shuts off the supply line and bleeds the application area. Lockable hand lever in closed position.

## Papildu informācija

The price does not include a padlock. Please order separately.

## Izstrādājums

Apzīmējums	DN	Vītnes	PN (bar)	A (mm)	B (mm)	L (mm)
K- 07 30 29 29	8	Rp 1/4	14	96,0	49,0	45,0
K- 07 30 29 30	10	Rp 3/8	14	96,0	49,0	45,0
K- 07 30 29 31	15	Rp 1/2	14	96,0	51,0	59,0
K- 07 30 29 32	20	Rp 3/4	14	117,0	60,0	64,0
K- 07 30 29 33	25	Rp 1	14	117,0	64,0	81,0
K- 07 30 29 34	32	Rp 1 1/4	14	157,0	80,0	93,0
K- 07 30 29 35	40	Rp 1 1/2	14	157,0	86,0	102,0
K- 07 30 29 36	50	Rp 2	14	157,0	93,0	121,0

## Piederumi

K-VORHAENGESCHLOSS Padlock