

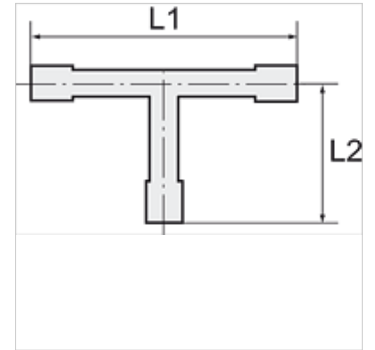
K-T-RED STUTZEN 3 POM

Reducing T push-on connectors, POM

HANSA FLEX

Īpašības

Temperatūras diapazons -40 °C to +90 °C



Norāde

Citi dati pieejami pēc pieprasījuma.

Apraksts

Lightweight tube connectors distinguished by high strength, toughness, resistance to abrasion and impact resistance. Resistant to: Acetone, benzene, benzene, butane, alcohols, diesel fuels, crude oil, natural gas, ethanol, fruit juices, glycerine, fuel oil, hydraulic fluids, aliphatic ketones, carbon dioxide, carbonic acid, engine oils, methanol, propane, liquefied gas, lubricating oils, lubricating greases, town gas, washing liquor and water.

Izstrādājums

Apzīmējums	Šūtenei	L1 (mm)	L2 (mm)	maks. pieļaujamais pārspiediens (bar)
K- 07 40 46 59	LW 3 mm / 4 mm / 3 mm	25,0	17,5	10
K- 07 40 46 60	LW 4 mm / 6 mm / 4 mm	37,0	24,0	10
K- 07 40 46 61	LW 6 mm / 4 mm / 6 mm	49,0	20,5	10
K- 07 40 46 62	LW 8 mm / 4 mm / 8 mm	56,0	22,0	10
K- 07 40 46 63	LW 8 mm / 6 mm / 8 mm	56,0	28,0	10
K- 07 40 46 64	LW 10 mm / 6 mm / 10 mm	62,0	28,0	10
K- 07 40 46 65	LW 10 mm / 8 mm / 10 mm	62,0	31,0	10
K- 07 40 46 66	LW 12 mm / 6 mm / 12 mm	69,0	29,0	10
K- 07 40 46 67	LW 12 mm / 8 mm / 12 mm	69,0	31,0	10
K- 07 40 46 68	LW 12 mm / 10 mm / 12 mm	69,0	33,0	10
K- 07 40 46 69	LW 18 mm / 10 mm / 18 mm	79,0	36,0	10
K- 07 40 46 70	LW 18 mm / 15 mm / 18 mm	80,0	44,0	10