

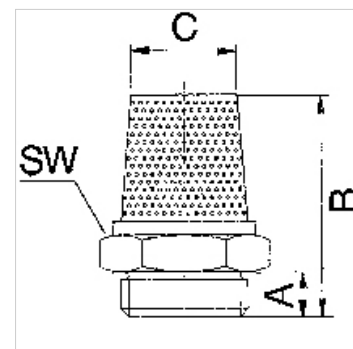
K-SCHALLDAE SINTERBR S 1

Silencers, sintered bronze, slotted

HANSA FLEX

Īpašības

| | |
|--------------------------------|-------------------|
| Ekspluatācijas spiediens | maks. 10 bar |
| Ekspluatācijas temperatūra | -10 °C to +200 °C |
| Skaņas spiediena līmenis 6 bar | 80 ~ 90 dB(A) |



Apraksts

For reducing the exhaust noise generated by pneumatic equipment.

Izstrādājums

| Apzīmējums | Vītnes | A (mm) | B (mm) | C (mm) |
|----------------|--------|-----------|-----------|-----------|
| K- 07 40 35 07 | G 1/8 | 5,5 | 21,0 | 8,0 |
| K- 07 40 35 08 | G 1/4 | 8,5 | 27,0 | 10,0 |
| K- 07 40 35 09 | G 3/8 | 11,0 | 36,0 | 15,0 |
| K- 07 40 35 10 | G 1/2 | 11,0 | 44,0 | 19,0 |