

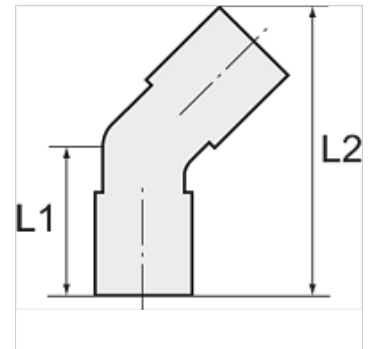
K-STECKVERSCHR 45° DRE AG-K

45° union elbows, swivel type, conical male thread, coated

HANSA FLEX

Īpašības

Darba spiediens	Max. 15 bar, coarse vacuum
Izmantošana	Air, vacuum
ieteicamās šļūtenes	PU or PA (nylon)
Darba vides	Compressed air and all gases or liquids that are compatible with the materials
Temperatūras diapazons	-20 °C to +80 °C
Bļivēšanas virsma	Conical version: thread coating
Materiāls	Plastic, Nickel plated brass
Piespiedējgredzens	Plastic



Norāde

Citi dati pieejami pēc pieprasījuma.

Apraksts

Push-in fittings series manufactured in plastic and nickel-plated brass. All parts are suitable for use with hoses, tubes or pipes made of plastic and copper.

Izstrādājums

Apzīmējums	Vītnes	šļūtenes ārējais Ø	L1 (mm)	L2 (mm)	SW
K- 07 40 04 81	R 1/8	4 mm	22,7	38,5	10 mm
K- 07 40 04 82	R 1/8	6 mm	24,4	42,0	12 mm
K- 07 40 04 83	R 1/8	8 mm	27,6	48,0	14 mm
K- 07 40 04 80	R 1/8	10 mm	30,2	53,6	17 mm
K- 07 40 04 77	R 1/4	4 mm	25,7	41,5	14 mm
K- 07 40 04 78	R 1/4	6 mm	26,9	44,5	14 mm
K- 07 40 04 79	R 1/4	8 mm	29,6	50,0	14 mm
K- 07 40 04 75	R 1/4	10 mm	32,2	55,6	17 mm
K- 07 40 04 76	R 1/4	12 mm	35,2	61,9	21 mm
K- 07 40 04 86	R 3/8	6 mm	28,4	46,0	17 mm
K- 07 40 04 87	R 3/8	8 mm	31,1	51,5	17 mm
K- 07 40 04 84	R 3/8	10 mm	33,2	56,6	17 mm
K- 07 40 04 85	R 3/8	12 mm	36,2	62,9	21 mm
K- 07 40 04 73	R 1/2	6 mm	31,9	49,5	21 mm
K- 07 40 04 74	R 1/2	8 mm	34,6	55,0	21 mm
K- 07 40 04 71	R 1/2	10 mm	36,7	60,1	21 mm
K- 07 40 04 72	R 1/2	12 mm	39,2	65,9	21 mm