

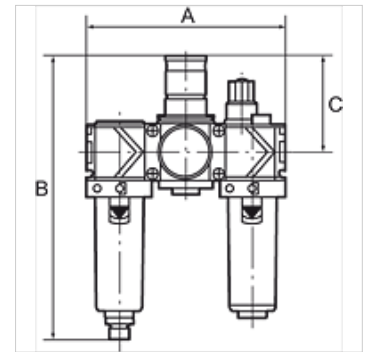
# K-WTEH 3-TLG PC SCHU VARIOBLOC

Service units, 3-piece with polycarbonate bowl and bowl guard

**HANSA FLEX**

## Īpašības

<b>Ieejas spiediens</b>	Max. 16 bar (polycarbonate bowl), Max. 20 bar (metal bowl)
<b>Vielas temperatūra</b>	max. 50 °C
<b>Vides temperatūra</b>	Max. 50 °C (polycarbonate bowl), Max. 80 °C (metal bowl)
<b>Poru attālums filtra elementā</b>	40 µm
<b>Blīvēšanas materiāls</b>	NBR
<b>Atsperes korpuss</b>	POM
<b>Korpuss</b>	Die-cast zinc
<b>Membrāna</b>	NBR
<b>Pilienu aizsargs</b>	PA
<b>Drain valve</b>	Manual
<b>Caurplūdes vērtības mērījums</b>	At P1 = 10 bar, P2 = 6 bar and pressure drop $\Delta p = 1$ bar



## Norāde

Citi dati pieejami pēc pieprasījuma.

## Apraksts

Two or three-piece service units consisting of a reversible diaphragm pressure regulator, independent of inlet pressure, with self-relieving design, combined with a centrifugal separator and a proportional lubricator. Approved series in modern industrial design, with the following key benefits: Simple handling, Convenient modular assembly thanks to innovative fasteners, Excellent flow values.

## Pasūtījuma norādes

Service units are also available with bowl guard or metal bowl. Service units are also available in other control ranges (0.5 - 6 bar and 0.5 - 16 bar) and in lockable version. Please ask for more information.

## Papildu informācija

Service units are also available with bowl guard or metal bowl. Service units are also available in other control ranges.

## Izstrādājums

Apzīmējums	Vītnes	Regulēšanas diapazons	Caurplūde (L/min)	A (mm)	B	C (mm)
K- 07 25 22 86	G 1/4	0.5 - 10 bar	1500	144,0	201,0 mm	68,0
K- 07 25 22 85	G 3/8	0.5 - 10 bar	1800	144,0	201,0 mm	68,0
K- 07 25 22 84	G 1/2	0.5 - 10 bar	3400	210,0	247,0 mm	98,0
K- 07 25 22 83	G 3/4	0.5 - 10 bar	5000	210,0	247,0 mm	98,0
K- 07 25 22 82	G 1	0.5 - 10 bar	5000	264,0	247,0 mm	98,0