

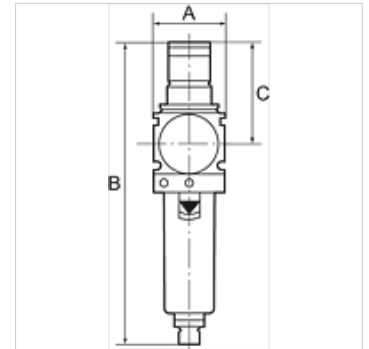
K-FI REGL PC-BEHÄLTER S MAN VARIOB

Filter regulators with polycarbonate bowl, bowl guard and pressure gauge

HANSA FLEX

Īpašības

Ieejas spiediens	Max. 16 bar (polycarbonate bowl), Max. 20 bar (metal bowl)
Vielas temperatūra	max. 50 °C
Vides temperatūra	Max. 50 °C (polycarbonate bowl), Max. 80 °C (metal bowl)
Poru attālums filtra elementā	40 µm
Blīvēšanas materiāls	NBR
Atsperes korpus	POM
Korpuss	Die-cast zinc
Membrāna	NBR
Drain valve	Manual
Caurplūdes vērtības mērījums	At P1 = 10 bar, P2 = 6 bar and pressure drop $\Delta p = 1$ bar



Norāde

Citi dati pieejami pēc pieprasījuma.

Apraksts

Reversible diaphragm pressure regulators, independent of inlet pressure, with self-relieving design, combined with a centrifugal separator. The pressure setting can be locked by pushing the knob down. Approved series in modern industrial design, with the following key benefits: Simple handling, Convenient modular assembly thanks to innovative fasteners, Excellent flow values.

Pasūtījuma norādes

Filter regulators are also available with bowl guard or metal bowl. Filter regulators are also available in lockable version. Please ask for more information.

Papildu informācija

Filter regulators are also available with bowl guard or metal bowl. Filter regulators are also available in lockable version. Please ask for more information.

Izstrādājums

Apzīmējums	Vītnes	Regulēšanas diapazons	Caurplūde (L/min)	A (mm)	B	C (mm)
K- 07 25 23 01	G 1/4	0.5 - 10 bar	2000	48,0	203,0 mm	68,0
K- 07 25 23 00	G 3/8	0.5 - 10 bar	3000	48,0	203,0 mm	68,0
K- 07 25 22 99	G 1/2	0.5 - 10 bar	5500	70,0	273,0 mm	98,0
K- 07 25 22 98	G 3/4	0.5 - 10 bar	6500	70,0	273,0 mm	98,0
K- 07 25 22 97	G 1	0.5 - 10 bar	6500	124,0	273,0 mm	98,0