

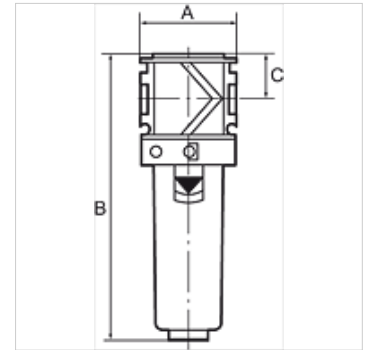
K-FI AK KOH PC-BEHAEL VARIOBLOC

Activated carbon filters with polycarbonate bowl

HANSA FLEX

Īpašības

Ieejas spiediens	Max. 16 bar (polycarbonate bowl), Max. 20 bar (metal bowl)
Vielas temperatūra	max. 50 °C
Vides temperatūra	Max. 50 °C (polycarbonate bowl), Max. 80 °C (metal bowl)
Gaisa kvalitāte ISO 85731	Class 1 dirt, class 1 oil
Atlikusī eļļa	0,003 mg/m ³
Caurplūdes vērtības mērījums	At P1 = 7 bar and pressure drop $\Delta p = 0,1$ bar



Norāde

Activated carbon filters are also supplied with protective cage or metal container.

Citi dati pieejami pēc pieprasījuma.

Apraksts

The activated carbon filter absorbs oil vapour from the compressed air. The entering compressed air needs to be dry and free of contaminants (an upstream microfilter is strongly recommended).

Izstrādājums

Apzīmējums	Vītnes	Caurplūde (L/min)	A (mm)	B	C (mm)
K- 07 25 19 59	G 1/4	800	48,0	142,0 mm	22,0
K- 07 25 19 60	G 3/8	1000	48,0	142,0 mm	22,0
K- 07 25 19 61	G 1/2	1200	70,0	193,0 mm	26,0
K- 07 25 19 62	G 3/4	1300	70,0	193,0 mm	26,0
K- 07 25 19 63	G 1	1300	124,0	193,0 mm	26,0