

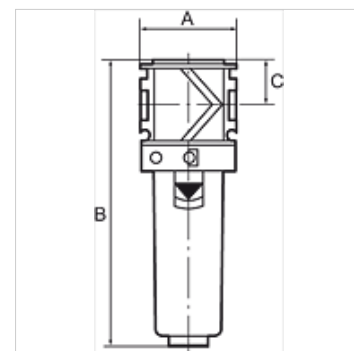
# K-FI AK KOH PC-BEHAEL SI VARIOBLOC

Activated carbon filters with polycarbonate bowl and bowl guard

**HANSA FLEX**

## Īpašības

<b>Ieejas spiediens</b>	Max. 16 bar (polycarbonate bowl), Max. 20 bar (metal bowl)
<b>Vielas temperatūra</b>	max. 50 °C
<b>Vides temperatūra</b>	Max. 50 °C (polycarbonate bowl), Max. 80 °C (metal bowl)
<b>Gaisa kvalitāte ISO 85731</b>	Class 1 dirt, class 1 oil
<b>Atlikusī eļļa</b>	0,003 mg/m <sup>3</sup>
<b>Caurplūdes vērtības mērījums</b>	At P1 = 7 bar and pressure drop $\Delta p = 0,1$ bar



## Norāde

Activated carbon filters are also supplied with protective cage or metal container.

Citi dati pieejami pēc pieprasījuma.

## Apraksts

The activated carbon filter absorbs oil vapour from the compressed air. The entering compressed air needs to be dry and free of contaminants (an upstream microfilter is strongly recommended).

## Izstrādājums

Apzīmējums	Vītnes	Caurplūde (L/min)	A (mm)	B (mm)	C (mm)
K- 07 25 23 12	G 1/4	800	48,0	142,0 mm	22,0
K- 07 25 23 13	G 3/8	1000	48,0	142,0 mm	22,0
K- 07 25 23 14	G 1/2	1200	70,0	193,0 mm	26,0
K- 07 25 23 15	G 3/4	1300	70,0	193,0 mm	26,0
K- 07 25 23 16	G 1	1300	124,0	193,0 mm	26,0