

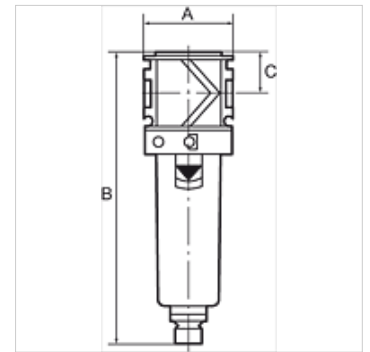
# K-FI MIKRO PC-BEHÄL SCHU VARIOBLOC

Micro-filters with polycarbonate bowl and bowl guard

**HANSA FLEX**

## Īpašības

<b>Ieejas spiediens</b>	Max. 16 bar (polycarbonate bowl), Max. 20 bar (metal bowl)
<b>Vielas temperatūra</b>	max. 50 °C
<b>Vides temperatūra</b>	Max. 50 °C (polycarbonate bowl), Max. 80 °C (metal bowl)
<b>Filtra smalkums</b>	0,01 µm
<b>Gaisa kvalitāte ISO 85731</b>	Class 1 dirt, class 1 oil
<b>Iedarbības pakāpe</b>	99.999 %
<b>Caurplūdes vērtības mērījums</b>	At P1 = 7 bar and pressure drop $\Delta p = 0,1$ bar



## Norāde

Citi dati pieejami pēc pieprasījuma.

## Apraksts

Borosilicate filter for all applications where compliance with strict compressed air purity requirements is vital. As the second stage downstream of the standard filter, the micro-filter removes 99.999 % of even the finest remaining particles from water, oil and dirt with practically zero residues (filter rating: 0.01 µm).

## Pasūtījuma norādes

Micro-filters are also available with bowl guard or metal bowl.

## Izstrādājums

Apzīmējums	Vītnes	Caurplūde (L/min)	A (mm)	B	C (mm)
K- 07 25 22 96	G 1/4	370	48,0	155,0 mm	22,0
K- 07 25 22 95	G 3/8	420	48,0	155,0 mm	22,0
K- 07 25 22 94	G 1/2	1000	70,0	202,0 mm	26,0
K- 07 25 22 93	G 3/4	1100	70,0	202,0 mm	26,0
K- 07 25 22 92	G 1	1100	124,0	202,0 mm	26,0