

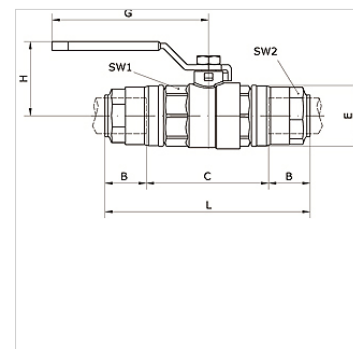
K-2-BK V DURCHG INFI

2/2-way ball valve Ø 20 mm - Ø 63 mm full bore

HANSA FLEX

Īpašības

| | |
|--------------------------|-------------------------------------|
| Darba vides | Compressed air, vacuum, inert gases |
| Ekspluatācijas spiediens | -0,99 bar - 15 bar |
| Temperatūras diapazons | -20 °C to +80 °C |
| Bļīvējums | NBR |
| Korpuss | Nickel-plated brass |
| Spīlgredzens | Stainless steel 1.4301 |
| Uzgrieznis | Aluminium |
| Bļīvgredzens | NBR |
| Drošības gredzens | Technopolymer |



Izstrādājums

| Apzīmējums | Caurules ārējais Ø | B (mm) | C (mm) | DN | E (mm) | G (mm) | H (mm) | L (mm) | SW1 (mm) | SW2 (mm) |
|----------------|--------------------|-----------|-----------|----|-----------|-----------|-----------|-----------|-------------|-------------|
| K- 07 40 55 05 | 63 mm | 57,5 | 38,0 | 59 | 94,0 | 240 | 111,5 | 232,0 | 89 | 75 |