

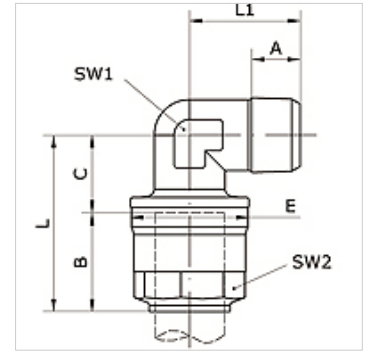
# K-W90 STECK AG 20-63 INFI

90°-elbow push-in connector Ø 20 mm – Ø 63 mm with external thread

**HANSA FLEX**

## Īpašības

Darba vides	Compressed air, vacuum, inert gases
Ekspluatācijas spiediens	-0,99 bar - 15 bar
Temperatūras diapazons	-20 °C to +80 °C
Bļīvējums	NBR
Korpuss	Nickel-plated brass
Spīlgredzens	Stainless steel 1.4301
Uzgrieznis	Nickel-plated brass
Bļivgredzens	NBR
Drošības gredzens	Technopolymer



## Izstrādājums

Apzīmējums	Caurules ārējais Ø	Savienojums	A (mm)	B (mm)	C (mm)	E (mm)	L (mm)	L1 (mm)	SW1 (mm)	SW2 (mm)
K- 07 40 53 68	20 mm	R 1/2	14,0	31,5	19,0	34,5	51,0	32,0	21	30
K- 07 40 53 69	25 mm	R 3/4	16,5	38,5	23,0	42,5	61,5	37,0	26	35
K- 07 40 53 70	32 mm	R 1	19,0	46,0	28,0	52,0	74,5	49,0	34	45
K- 07 40 53 71	40 mm	R 1 1/4	21,5	52,0	34,0	63,0	86,5	54,0	41	55
K- 07 40 53 72	50 mm	R 1 1/2	21,5	63,5	40,5	73,0	104,0	59,0	50	65