

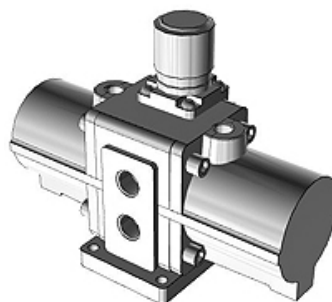
# K-DRUCKVERST MANO H SCHALLD VBA

Booster Regulator, pressure gauge, high-noise reduction silencer, VBA

**HANSA FLEX**

## Īpašības

|   |   |
|---|---|
| Modelis                                 | with pressure gauge and with high performance muffler |
| min. ekspluatācijas spiediens           | 0.20 MPa  |
| Pneimatiskā manometra pieslēgums        | Rc 1/8  |
| Pneimatisko manometru pieslēgumu skaits | 2   |
| maks. ieejas spiediens                  | 0,1 to 1,0 MPa  |
| Vielas temperatūra                      | +2 °C to +50 °C                                       |
| Vides temperatūra                       | +2 °C bis +50 °C                                      |
| Darba vides                             | Saspiests gaiss                                       |



## Apraksts

Booster regulator, series VBA, increases pressure only where the force is inadequate because of a low network pressure (energy saving measure), no electricity supply necessary, longer service life: doubled compared to conventional model, lower operating noise level: 13 dB (A), improved operational reliability from inbuilt mesh filter on (IN connection) compressed air inlet, reduced condensation levels: air exhaust channels integrated directly into the cylinder tube, suitable for: compressed air, size 1/4, with pressure gauge and silencer, elbow, pneumatic connection: G 1/4, pneumatic connection pressure gauge: G 1/8, pneumatic connections pressure gauge: 2, flow rate 230 l/min, pressure boost 1:2, manually actuated pressure adjustment mechanism, test pressure: 3 MPa, max. operating pressure: 2 MPa, min. operating pressure: 0.2 MPa, media temperature: +2 to +50 °C, ambient temperature: +2 to +50 °C

## Izstrādājums

| Apzīmējums     | Pneimatiskais pieslēgums | Tipizmērs | Spiediena iestatīšanas mehānisms | Spiediena pastiprināšanas process | Caurplūde (L/min) | maks. ekspluatācijas spiediens (MPa) |
|----------------|--------------------------|-----------|----------------------------------|-----------------------------------|-------------------|--------------------------------------|
| K- 07 60 00 11 | G 3/8                    | 3/8       | manually operated                | 1:2                               | 1000              | 1,50                                 |