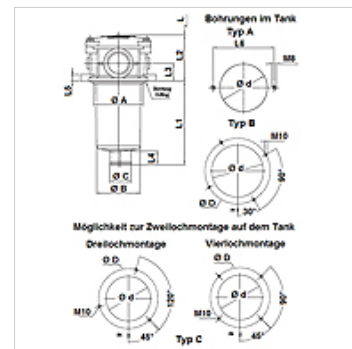


Īpašības

Modelis	ar apvada vārstu 1,75 bar, bez aizsērējuma indikatora
Materiāls	Blīvējums: NBR
Ekspluatācijas spiediens	maks. 8 bar
Piegādes apjoms	bez filtra elementa



Norāde

Izmērs "L": filtra elementa nomainībai nepieciešama brīva telpa

Apraksts

Pārplūdes filtrs jāierīko uz tvertnes vāka, urbuma izmērus skatīt grafiskajā attēlā.

Connector for clogging indicator G 1/8" closed with bolt

Pasūtījuma norādes

Filtra elements nav iekļauts. Lūdzu, pasūtiet atsevišķi.

Izstrādājums

Apzīmējums	filtra tipam	Cauruļu pieslēgums	Ø A	Ø B	Ø C	Ø d	L	L1	L2	L3	L4	L5	L6	Tips	Svars
			(mm)	(mm)	(mm)	(mm)	(mm)	(mm)	(mm)	(mm)	(mm)	(mm)	(mm)		
FI RL GEH N 024 048 1/2	FI RL 024, 048	G 1/2"	66,0	60,0	32,0	67,0	100,0	86,0	59,0	22,0	19,0	8,0	90,0	A	0,28
FI RL GEH N 053 110 1/2	FI RL 053, 110	G 1/2"	88,0	80,0	38,0	89,0	120,0	100,0	82,0	32,0	24,0	12,0	115,0	A	0,58
FI RL GEH N 053 086 3/4	FI RL 053, 086	G 3/4"	88,0	80,0	38,0	89,0	120,0	100,0	82,0	32,0	24,0	12,0	115,0	A	0,58
FI RL GEH N 053 086 1	FI RL 053, 086	G 1"	88,0	80,0	38,0	89,0	120,0	100,0	82,0	32,0	24,0	12,0	115,0	A	0,58
FI RL GEH N 064 150 3/4	FI RL 064, 150	G 3/4"	88,0	80,0	38,0	89,0	170,0	150,0	80,0	32,0	24,0	12,0	115,0	A	0,60
FI RL GEH N 064 150 1	FI RL 064, 150	G 1"	88,0	80,0	38,0	89,0	170,0	150,0	80,0	32,0	24,0	12,0	115,0	A	0,60
FI RL GEH N 125 225 3/4	FI RL 125, 225	G 3/4"	88,0	80,0	46,5	89,0	250,0	225,0	80,0	32,0	24,0	12,0	115,0	A	0,64
FI RL GEH N 125 225 1	FI RL 125, 225	G 1"	88,0	80,0	46,5	89,0	250,0	225,0	80,0	32,0	24,0	12,0	115,0	A	0,64
FI RL GEH N 190 230 1 1/4	FI RL 190, 230	G 1, 1/4"	129,5	112,0	47,0	131,0	250,0	233,0	91,0	35,0	31,0	13,0	175,0	C	1,41
FI RL GEH N 280 290 1 1/4	FI RL 280, 290	G 1, 1/4"	173,5	150,0	51,0	174,5	200,0	180,0	97,0	38,5	38,0	12,5	220,0	B	2,87
FI RL GEH N 290 370 1 1/2	FI RL 290, 370	G 1, 1/2"	173,5	150,0	51,0	174,5	200,0	180,0	97,0	38,5	38,0	12,5	220,0	B	2,87
FI RL GEH N 290 370 2	FI RL 290, 370	G 2"	173,5	150,0	51,0	174,5	200,0	180,0	97,0	38,5	38,0	12,5	220,0	B	2,87
FI RL GEH N 320 450 1 1/2	FI RL 320, 450	G 1, 1/2"	173,5	150,0	64,0	174,5	250,0	238,0	98,5	38,5	38,0	12,5	220,0	B	2,87
FI RL GEH N 420 540 1 1/2	FI RL 420, 540	G 1, 1/2"	173,5	150,0	64,0	174,5	310,0	290,0	97,0	38,5	38,0	12,5	220,0	B	2,87
FI RL GEH N 540 675 2	FI RL 540, 675	G 2"	173,5	150,0	64,0	174,5	310,0	290,0	97,0	38,5	38,0	12,5	220,0	B	2,87
FI RL GEH N 620 750 2	FI RL 620, 750	G 2"	173,5	150,0	64,0	174,5	450,0	430,0	105,0	48,5	38,0	12,5	220,0	B	4,36
FI RL GEH N 620 750 SAE2	FI RL 620, 750	2" SAE 3000 PSI/M	173,5	150,0	64,0	174,5	450,0	430,0	105,0	48,5	38,0	12,5	220,0	B	4,36

Piederumi

HK VA MAN	Clogging indicator pressure gauge
FI RL RVL	Caurules pagarinājums pārplūdes filtram

ir rezerves daļa šādiem izstrādājumiem

FI RL	Pārplūdes filtrs
-------	------------------

Papild elementi

FI RL E MP	Filtra elements pārplūdes filtram MP
------------	--------------------------------------