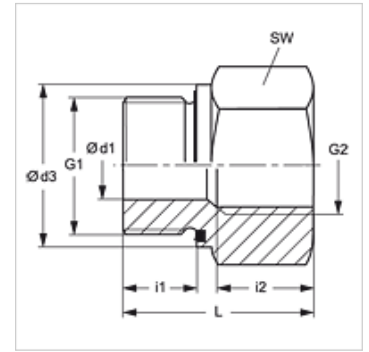


Eigenschappen

| | |
|--------------------------|-----------------------------|
| Aansluiting 1 | BSP-buitendraad cilindrisch |
| Afdichtingsvorm 1 | Vorm E |
| Aansluiting 2 | BSP-binnendraad cilindrisch |
| Constructie | Verloopstuk |
| Uitvoering | Lang |
| Materiaal | RVS |



Aanwijzing

Aanwijzingen voor de montage, inbouw, drukbelasting en toegestane werktemperaturen staan in de technische informatie voor schroefdraadpijpvverbindingen.

Bestelaanwijzingen

NBR afdichtingen
FPM (Viton) op aanvraag

Artikel

| Aanduiding | Werkdruk bar | Ø d1 (mm) | G1 | G2 | Ø d3 (mm) | i1 (mm) | i2 (mm) | L (mm) | SW (mm) |
|--------------------|--------------|-----------|--------------|--------------|-----------|---------|---------|--------|---------|
| RIL NW 03 06 ED VA | PN 400 | 4 | G 1/8" -28 | G 1/4" -19 | 14,0 | 8 | 17,0 | 31 | 19 |
| RIL NW 03 10 ED VA | PN 400 | 4 | G 1/8" -28 | G 3/8" -19 | 14,0 | 8 | 17,0 | 32 | 24 |
| RIL NW 06 03 ED VA | PN 400 | 5 | G 1/4" -19 | G 1/8" -28 | 18,7 | 12 | 12,0 | 28 | 19 |
| RIL NW 06 10 ED VA | PN 400 | 5 | G 1/4" -19 | G 3/8" -19 | 18,7 | 12 | 17,0 | 36 | 24 |
| RIL NW 06 13 ED VA | PN 400 | 5 | G 1/4" -19 | G 1/2" -14 | 18,7 | 12 | 20,0 | 40 | 27 |
| RIL NW 06 20 ED VA | PN 400 | 5 | G 1/4" -19 | G 3/4" -14 | 18,7 | 12 | 22,0 | 43 | 36 |
| RIL NW 10 06 ED VA | PN 400 | 8 | G 3/8" -19 | G 1/4" -19 | 22,0 | 12 | 17,0 | 36 | 22 |
| RIL NW 10 13 ED VA | PN 400 | 8 | G 3/8" -19 | G 1/2" -14 | 22,0 | 12 | 20,0 | 41 | 27 |
| RIL NW 10 20 ED VA | PN 315 | 8 | G 3/8" -19 | G 3/4" -14 | 22,0 | 12 | 22,0 | 44 | 36 |
| RIL NW 13 10 ED VA | PN 400 | 12 | G 1/2" -14 | G 3/8" -19 | 26,7 | 14 | 17,0 | 36 | 27 |
| RIL NW 13 20 ED VA | PN 315 | 12 | G 1/2" -14 | G 3/4" -14 | 26,7 | 14 | 22,0 | 46 | 36 |
| RIL NW 13 25 ED VA | PN 315 | 12 | G 1/2" -14 | G 1" -11 | 26,7 | 14 | 24,5 | 49 | 41 |
| RIL NW 13 32 ED VA | PN 315 | 10 | G 1/2" -14 | G 1,1/4" -11 | 26,7 | 14 | 26,5 | 53 | 55 |
| RIL NW 20 13 ED VA | PN 315 | 16 | G 3/4" -14 | G 1/2" -14 | 32,0 | 16 | 20,0 | 41 | 32 |
| RIL NW 20 25 ED VA | PN 315 | 16 | G 3/4" -14 | G 1" -11 | 32,0 | 16 | 24,5 | 51 | 41 |
| RIL NW 20 32 ED VA | PN 315 | 16 | G 3/4" -14 | G 1,1/4" -11 | 32,0 | 16 | 26,5 | 55 | 55 |
| RIL NW 20 40 ED VA | PN 250 | 16 | G 3/4" -14 | G 1,1/2" -11 | 32,0 | 16 | 28,5 | 57 | 60 |
| RIL NW 25 20 ED VA | PN 315 | 20 | G 1" -11 | G 3/4" -14 | 39,7 | 18 | 22,0 | 47 | 41 |
| RIL NW 25 32 ED VA | PN 315 | 20 | G 1" -11 | G 1,1/4" -11 | 39,7 | 18 | 26,5 | 57 | 55 |
| RIL NW 25 40 ED VA | PN 250 | 20 | G 1" -11 | G 1,1/2" -11 | 39,7 | 18 | 28,0 | 59 | 60 |
| RIL NW 32 25 ED VA | PN 315 | 25 | G 1,1/4" -11 | G 1" -11 | 49,7 | 20 | 24,5 | 52 | 50 |
| RIL NW 32 40 ED VA | PN 250 | 25 | G 1,1/4" -11 | G 1,1/2" -11 | 49,7 | 20 | 28,5 | 60 | 60 |
| RIL NW 40 32 ED VA | PN 250 | 32 | G 1,1/2" -11 | G 1,1/4" -11 | 55,0 | 22 | 26,5 | 58 | 55 |
| RIL NW 50 40 ED VA | PN 160 | 40 | G 2" -11 | G 1,1/2" -11 | 68,0 | 24 | 28,5 | 62 | 70 |

PN = nominale druk PB = max. werkdruk

Productvarianten

RIL ED Verloopstuk, lang, Staal

Reserveonderdelen

WD V Zachte afdichting JIC