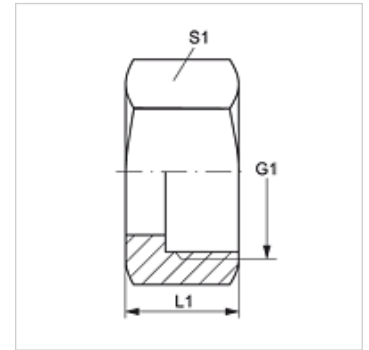
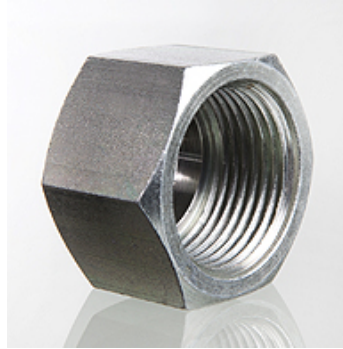


## Eigenschappen

<b>Aansluiting 1</b>	BSP-moerdraad
<b>Constructie</b>	Wartelmoer
<b>Norm</b>	ISO 8434-6
<b>Materiaal</b>	Staal
<b>Oppervlakbescherming</b>	Galvanisch gecoat



## Artikel

Aanduiding	G1	L1 (mm)	S1
<b>UEM AB 02</b>	G 1/8" -28	15,0	14
<b>UEM AB 04</b>	G 1/4" -19	15,0	17
<b>UEM AB 06</b>	G 3/8" -19	18,0	22
<b>UEM AB 08</b>	G 1/2" -14	20,0	27
<b>UEM AB 10</b>	G 5/8" -14	23,0	27
<b>UEM AB 12</b>	G 3/4" -14	23,0	32
<b>UEM AB 16</b>	G 1" -11	26,0	41
<b>UEM AB 20</b>	G 1,1/4" -11	28,0	50
<b>UEM AB 24</b>	G 1,1/2" -11	32,5	60

SW, S1, S2 = sleutelmaat