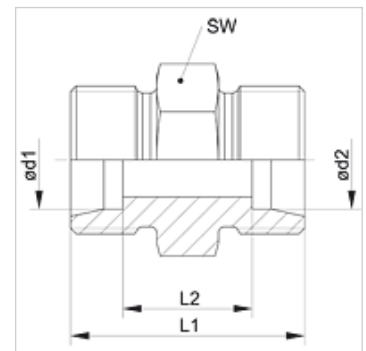


### Eigenschappen

|                      |   |
|----------------------|---|
| Aansluiting 1        | Metrische buitendraad cilindrisch       |
| Afdichtingsvorm 1    | 24° binnenconus                         |
| Aansluiting 2        | Metrische buitendraad cilindrisch       |
| Afdichtingsvorm 2    | 24° binnenconus                         |
| Constructie          | Koppeling                               |
| Uitvoering           | recht                                   |
| Norm                 | ISO 8434-1                              |
| Leveromvang          | Buissok (zonder wartelmoer en snijring) |
| Materiaal            | Staal                                   |
| Oppervlakbescherming | Galvanisch gecoat                       |



### Aanwijzing

Aanwijzingen voor de montage, inbouw, drukbelasting en toegestane werktemperaturen staan in de technische informatie voor schroefdraadpijpverbindingen.

### Artikel

| Aanduiding        | Serie | Werkdruk bar | Ø d1 (mm) | Ø d2 (mm) | L1 (mm) | L2 (mm) | SW (mm) |
|-------------------|-------|--------------|-----------|-----------|---------|---------|---------|
| XV 04 LL          | LL    | PN 100       | 4         | 4         | 20      | 12,0    | 9       |
| XV 05 LL          | LL    | PN 100       | 5         | 5         | 20      | 9,0     | 11      |
| XV 06 LL 04       | LL    | PN 100       | 6         | 4         | 20      | 10,5    | 11      |
| XV 06 LL          | LL    | PN 100       | 6         | 6         | 20      | 9,0     | 11      |
| XV 08 LL 04       | LL    | PN 100       | 8         | 4         | 22      | 12,5    | 12      |
| XV 08 LL 06       | LL    | PN 100       | 8         | 6         | 22      | 11,0    | 12      |
| XV 08 LL          | LL    | PN 100       | 8         | 8         | 23      | 12,0    | 12      |
| XV 10 LL          | LL    | PN 100       | 10        | 10        | 23      | 12,0    | 14      |
| XV 12 LL          | LL    | PN 100       | 12        | 12        | 23      | 11,0    | 17      |
| XV NW 04 HL       | L     | PN 315       | 6         | 6         | 24      | 10,0    | 12      |
| XV NW 06 HL 04    | L     | PN 315       | 8         | 6         | 25      | 11,0    | 14      |
| XV NW 06 HL       | L     | PN 315       | 8         | 8         | 25      | 11,0    | 14      |
| XV NW 08 HL 04    | L     | PN 315       | 10        | 6         | 26      | 12,0    | 17      |
| XV NW 08 HL 06    | L     | PN 315       | 10        | 8         | 26      | 12,0    | 17      |
| XV NW 08 HL       | L     | PN 315       | 10        | 10        | 27      | 13,0    | 17      |
| XV NW 10 HL 04    | L     | PN 315       | 12        | 6         | 27      | 13,0    | 19      |
| XV NW 10 HL 06    | L     | PN 315       | 12        | 8         | 27      | 13,0    | 19      |
| XV NW 10 HL 08    | L     | PN 315       | 12        | 10        | 28      | 14,0    | 19      |
| XV NW 10 HL       | L     | PN 315       | 12        | 12        | 28      | 14,0    | 19      |
| XV NW 13 HL 04    | L     | PN 315       | 15        | 6         | 28      | 14,0    | 24      |
| XV NW 13 HL 06    | L     | PN 315       | 15        | 8         | 28      | 14,0    | 24      |
| XV NW 13 HL 08    | L     | PN 315       | 15        | 10        | 29      | 15,0    | 24      |
| XV NW 13 HL 10    | L     | PN 315       | 15        | 12        | 29      | 15,0    | 24      |
| XV NW 13 HL       | L     | PN 315       | 15        | 15        | 30      | 16,0    | 24      |
| XV NW 16 HL 04    | L     | PN 315       | 18        | 6         | 29      | 14,5    | 27      |
| XV NW 16 HL 06    | L     | PN 315       | 18        | 8         | 29      | 14,5    | 27      |
| XV NW 16 HL 08    | L     | PN 315       | 18        | 10        | 30      | 15,5    | 27      |
| XV NW 16 HL 10    | L     | PN 315       | 18        | 12        | 30      | 15,5    | 27      |
| XV NW 16 HL 10 27 | L     | PN 315       | 18        | 12        | 32      | 17,5    | 27      |
| XV NW 16 HL 13    | L     | PN 315       | 18        | 15        | 31      | 16,5    | 27      |
| XV NW 16 HL       | L     | PN 315       | 18        | 18        | 31      | 16,0    | 27      |
| XV NW 16 HL 27    | L     | PN 315       | 18        | 18        | 35      | 20,0    | 27      |
| XV NW 20 HL 06    | L     | PN 160       | 22        | 8         | 31      | 16,5    | 32      |
| XV NW 20 HL 08    | L     | PN 160       | 22        | 10        | 32      | 17,5    | 32      |
| XV NW 20 HL 10    | L     | PN 160       | 22        | 12        | 32      | 17,5    | 32      |
| XV NW 20 HL 13    | L     | PN 160       | 22        | 15        | 33      | 18,5    | 32      |
| XV NW 20 HL 16    | L     | PN 160       | 22        | 18        | 33      | 18,0    | 32      |
| XV NW 20 HL 16 27 | L     | PN 160       | 22        | 18        | 35      | 20,0    | 32      |
| XV NW 20 HL       | L     | PN 160       | 22        | 22        | 35      | 20,0    | 32      |
| XV NW 25 HL 06    | L     | PN 160       | 28        | 8         | 33      | 18,5    | 41      |
| XV NW 25 HL 08    | L     | PN 160       | 28        | 10        | 34      | 19,5    | 41      |
| XV NW 25 HL 10    | L     | PN 160       | 28        | 12        | 34      | 19,5    | 41      |



## Artikel

| Aanduiding        | Serie | Werkdruk bar | Ø d1 (mm) | Ø d2 (mm) | L1 (mm) | L2 (mm) | SW (mm) |
|-------------------|-------|--------------|-----------|-----------|---------|---------|---------|
| XV NW 25 HL 13    | L     | PN 160       | 28        | 15        | 35      | 20,5    | 41      |
| XV NW 25 HL 16    | L     | PN 160       | 28        | 18        | 35      | 20,0    | 41      |
| XV NW 25 HL 16 27 | L     | PN 160       | 28        | 18        | 37      | 22,0    | 41      |
| XV NW 25 HL 20    | L     | PN 160       | 28        | 22        | 37      | 22,0    | 41      |
| XV NW 25 HL       | L     | PN 160       | 28        | 28        | 36      | 21,0    | 41      |
| XV NW 32 HL 20    | L     | PN 160       | 35        | 22        | 39      | 21,0    | 46      |
| XV NW 32 HL 25    | L     | PN 160       | 35        | 28        | 39      | 21,0    | 46      |
| XV NW 32 HL       | L     | PN 160       | 35        | 35        | 41      | 20,0    | 46      |
| XV NW 40 HL 25    | L     | PN 160       | 42        | 28        | 41      | 22,5    | 55      |
| XV NW 40 HL 32    | L     | PN 160       | 42        | 35        | 43      | 21,5    | 55      |
| XV NW 40 HL       | L     | PN 160       | 42        | 42        | 66      | 21,0    | 55      |
|                   |       |              |           |           |         |         |         |
| XV NW 16 HL 13 HS | L / S | PN 315       | 18        | 16        | 33      | 17,0    | 27      |
|                   |       |              |           |           |         |         |         |
| XV NW 03 HS       | S     | PN 630       | 6         | 6         | 30      | 16,0    | 14      |
| XV NW 04 HS 03    | S     | PN 630       | 8         | 6         | 32      | 18,0    | 17      |
| XV NW 04 HS       | S     | PN 630       | 8         | 8         | 32      | 18,0    | 17      |
| XV NW 06 HS 03    | S     | PN 630       | 10        | 6         | 32      | 17,5    | 19      |
| XV NW 06 HS 04    | S     | PN 630       | 10        | 8         | 32      | 17,5    | 19      |
| XV NW 06 HS       | S     | PN 630       | 10        | 10        | 32      | 17,0    | 19      |
| XV NW 08 HS 03    | S     | PN 630       | 12        | 6         | 34      | 19,5    | 22      |
| XV NW 08 HS 04    | S     | PN 630       | 12        | 8         | 34      | 19,5    | 22      |
| XV NW 08 HS 06    | S     | PN 630       | 12        | 10        | 34      | 19,0    | 22      |
| XV NW 08 HS       | S     | PN 630       | 12        | 12        | 34      | 19,0    | 22      |
| XV NW 10 HS 03    | S     | PN 630       | 14        | 6         | 36      | 21,0    | 24      |
| XV NW 10 HS 04    | S     | PN 630       | 14        | 8         | 36      | 21,0    | 24      |
| XV NW 10 HS 06    | S     | PN 630       | 14        | 10        | 36      | 20,5    | 24      |
| XV NW 10 HS 08    | S     | PN 630       | 14        | 12        | 36      | 20,5    | 24      |
| XV NW 10 HS       | S     | PN 630       | 14        | 14        | 38      | 22,0    | 24      |
| XV NW 13 HS 03    | S     | PN 400       | 16        | 6         | 36      | 20,5    | 27      |
| XV NW 13 HS 04    | S     | PN 400       | 16        | 8         | 36      | 20,5    | 27      |
| XV NW 13 HS 06    | S     | PN 400       | 16        | 10        | 36      | 20,0    | 27      |
| XV NW 13 HS 08    | S     | PN 400       | 16        | 12        | 36      | 20,0    | 27      |
| XV NW 13 HS 10    | S     | PN 400       | 16        | 14        | 38      | 21,5    | 27      |
| XV NW 13 HS       | S     | PN 400       | 16        | 16        | 38      | 21,0    | 27      |
| XV NW 16 HS 06    | S     | PN 400       | 20        | 10        | 40      | 22,0    | 32      |
| XV NW 16 HS 08    | S     | PN 400       | 20        | 12        | 40      | 22,0    | 32      |
| XV NW 16 HS 10    | S     | PN 400       | 20        | 14        | 42      | 23,5    | 32      |
| XV NW 16 HS 13    | S     | PN 400       | 20        | 16        | 42      | 23,0    | 32      |
| XV NW 16 HS       | S     | PN 400       | 20        | 20        | 44      | 23,0    | 32      |
| XV NW 20 HS 13    | S     | PN 400       | 25        | 16        | 46      | 25,5    | 41      |
| XV NW 20 HS 16    | S     | PN 400       | 25        | 20        | 48      | 25,5    | 41      |
| XV NW 20 HS       | S     | PN 400       | 25        | 25        | 50      | 26,0    | 41      |
| XV NW 25 HS 13    | S     | PN 400       | 30        | 16        | 48      | 26,0    | 46      |
| XV NW 25 HS 16    | S     | PN 400       | 30        | 20        | 50      | 26,0    | 46      |
| XV NW 25 HS 20    | S     | PN 400       | 30        | 25        | 52      | 26,5    | 46      |
| XV NW 25 HS       | S     | PN 400       | 30        | 30        | 54      | 27,0    | 46      |
| XV NW 32 HS 13    | S     | PN 315       | 38        | 16        | 53      | 28,5    | 55      |
| XV NW 32 HS 20    | S     | PN 315       | 38        | 25        | 57      | 29,0    | 55      |
| XV NW 32 HS 25    | S     | PN 315       | 38        | 30        | 59      | 29,5    | 55      |
| XV NW 32 HS       | S     | PN 315       | 38        | 38        | 61      | 29,0    | 55      |
|                   |       |              |           |           |         |         |         |
| XV NW 13 HS 13 HL | S / L | PN 400       | 16        | 15        | 36      | 20,5    | 27      |
| XV NW 16 HS 13 HL | S / L | PN 400       | 20        | 15        | 40      | 22,5    | 32      |
| XV NW 16 HS 16 HL | S / L | PN 400       | 20        | 18        | 40      | 22,0    | 32      |
| XV NW 20 HS 20 HL | S / L | PN 400       | 25        | 22        | 46      | 26,5    | 41      |

Serie: LL = zeer licht L = licht S = zwaar - PN = nominale druk PB = max. werkdruk - Ø d1 = buitendiameter buis - Ø d2 = buitendiameter buis

## Productvarianten

|                    |                  |
|--------------------|------------------|
| XV VA              | Koppeling, RVS   |
| V-LL / V-HL / V-HS | Koppeling, Staal |