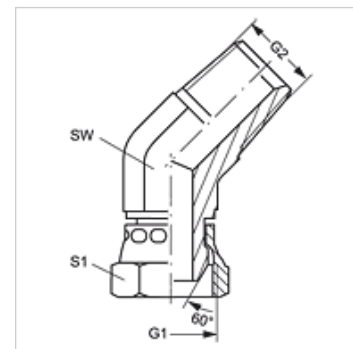


W45 AN HN

Inschroefsok, bocht 45°

Eigenschappen

| | |
|-----------------------------|-----------------------------------|
| Aansluiting 1 | NPT inwendige schroefdraad (NPSM) |
| Afdichtingsvorm 1 | 60° buitenconus |
| Aansluiting 2 | NPT-buitendraad |
| Afdichtingsvorm 2 | draaddichtend |
| Constructie | Inschroefsok |
| Uitvoering | Bochtstuk 45° |
| Materiaal | Staal |
| Oppervlakbescherming | Galvanisch gecoat |



Artikel

| Aanduiding | G1 | G2 | SW (mm) | S1 |
|-----------------|------------------|------------------|------------|----|
| W45 AN 02 HN | 1/8" -27 NPT | 1/8" -27 NPT | 11 | 14 |
| W45 AN 04 HN | 1/4" -18 NPT | 1/4" -18 NPT | 14 | 18 |
| W45 AN 06 HN | 3/8" -18 NPT | 3/8" -18 NPT | 19 | 22 |
| W45 AN 06 HN 08 | 3/8" -18 NPT | 1/2" -14 NPT | 22 | 22 |
| W45 AN 08 HN | 1/2" -14 NPT | 1/2" -14 NPT | 22 | 25 |
| W45 AN 08 HN 12 | 1/2" -14 NPT | 3/4" -14 NPT | 27 | 25 |
| W45 AN 12 HN | 3/4" -14 NPT | 3/4" -14 NPT | 27 | 32 |
| W45 AN 12 HN 16 | 3/4" -14 NPT | 1" -11,5 NPT | 33 | 32 |
| W45 AN 16 HN 12 | 1" -11,5 NPT | 3/4" -14 NPT | 33 | 38 |
| W45 AN 16 HN | 1" -11,5 NPT | 1" -11,5 NPT | 33 | 38 |
| W45 AN 20 HN | 1,1/4" -11,5 NPT | 1,1/4" -11,5 NPT | 41 | 48 |
| W45 AN 24 HN | 1,1/2" -11,5 NPT | 1,1/2" -11,5 NPT | 48 | 54 |
| W45 AN 32 HN | 2" -11,5 NPT | 2" -11,5 NPT | 64 | 67 |

SW, S1, S2 = sleutelmaat