

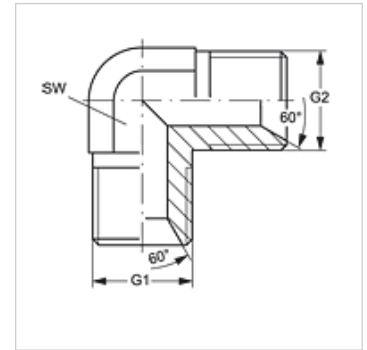
W90 HB

Connector, bocht 90°

HANSA FLEX

Eigenschappen

Aansluiting 1	BSP-buitendraad cilindrisch
Afdichtingsvorm 1	60° binnenconus
Aansluiting 2	BSP-buitendraad cilindrisch
Afdichtingsvorm 2	60° binnenconus
Constructie	Connectors
Uitvoering	Bochtstuk 90°
Materiaal	Staal
Oppervlakbescherming	Galvanisch gecoat



Artikel

Aanduiding	G1	G2	SW (mm)
W90 HB 02	G 1/8" -28	G 1/8" -28	11
W90 HB 04 HB 02	G 1/4" -19	G 1/8" -28	14
W90 HB 04	G 1/4" -19	G 1/4" -19	14
W90 HB 06 HB 04	G 3/8" -19	G 1/4" -19	19
W90 HB 06	G 3/8" -19	G 3/8" -19	19
W90 HB 08 HB 06	G 1/2" -14	G 3/8" -19	22
W90 HB 08	G 1/2" -14	G 1/2" -14	22
W90 HB 10	G 5/8" -14	G 5/8" -14	22
W90 HB 12 HB 08	G 3/4" -14	G 1/2" -14	27
W90 HB 12	G 3/4" -14	G 3/4" -14	27
W90 HB 16 HB 12	G 1" -11	G 3/4" -14	33
W90 HB 16	G 1" -11	G 1" -11	33
W90 HB 20 HB 16	G 1,1/4" -11	G 1" -11	41
W90 HB 20	G 1,1/4" -11	G 1,1/4" -11	41
W90 HB 24	G 1,1/2" -11	G 1,1/2" -11	50
W90 HB 32	G 2" -11	G 2" -11	55

SW = sleutelmaat

Productvarianten

W90 HB VA Koppelingssok, bocht 90°, RVS