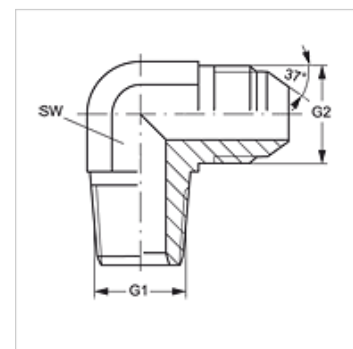


# W90 HN HJ

## Inschroefsok, bocht 90°

### Eigenschappen

Aansluiting 1	NPT-buitendraad
Afdichtingsvorm 1	draaddichtend
Aansluiting 2	UN/UNF-buitendraad
Afdichtingsvorm 2	74° buitenconus
Constructie	Inschroefsok
Uitvoering	Bochtstuk 90°
Materiaal	Staal
Oppervlakbescherming	Galvanisch gecoat



### Artikel

Aanduiding	G1	G2	SW (mm)
W90 HN 02 HJ	1/8" -27 NPT	5/16" -24 UN	8
W90 HN 02 HJ 04	1/8" -27 NPT	7/16" -20 UNF	11
W90 HN 02 HJ 05	1/8" -27 NPT	1/2" -20 UNF	13
W90 HN 02 HJ 06	1/8" -27 NPT	9/16" -18 UNF	14
W90 HN 04 HJ	1/4" -18 NPT	7/16" -20 UNF	14
W90 HN 04 HJ 05	1/4" -18 NPT	1/2" -20 UNF	14
W90 HN 04 HJ 06	1/4" -18 NPT	9/16" -18 UNF	14
W90 HN 04 HJ 08	1/4" -18 NPT	3/4" -16 UNF	19
W90 HN 06 HJ 04	3/8" -18 NPT	7/16" -20 UNF	19
W90 HN 06 HJ	3/8" -18 NPT	9/16" -18 UNF	19
W90 HN 06 HJ 05	3/8" -18 NPT	1/2" -20 UNF	19
W90 HN 06 HJ 08	3/8" -18 NPT	3/4" -16 UNF	19
W90 HN 06 HJ 10	3/8" -18 NPT	7/8" -14 UNF	22
W90 HN 08 HJ 04	1/2" -14 NPT	7/16" -20 UNF	22
W90 HN 08 HJ	1/2" -14 NPT	3/4" -16 UNF	22
W90 HN 08 HJ 05	1/2" -14 NPT	1/2" -20 UNF	19
W90 HN 08 HJ 06	1/2" -14 NPT	9/16" -18 UNF	22
W90 HN 08 HJ 10	1/2" -14 NPT	7/8" -14 UNF	22
W90 HN 08 HJ 12	1/2" -14 NPT	1.1/16" -12 UN	27
W90 HN 12 HJ	3/4" -14 NPT	1.1/16" -12 UN	27
W90 HN 12 HJ 06	3/4" -14 NPT	9/16" -18 UNF	27
W90 HN 12 HJ 08	3/4" -14 NPT	3/4" -16 UNF	27
W90 HN 12 HJ 10	3/4" -14 NPT	7/8" -14 UNF	27
W90 HN 12 HJ 14	3/4" -14 NPT	1.3/16" -12 UN	31
W90 HN 12 HJ 16	3/4" -14 NPT	1.5/16" -12 UN	33
W90 HN 16 HJ	1" -11,5 NPT	1.5/16" -12 UN	33
W90 HN 16 HJ 12	1" -11,5 NPT	1.1/16" -12 UN	33
W90 HN 16 HJ 20	1" -11,5 NPT	1.5/8" -12 UN	41
W90 HN 20 HJ 16	1.1/4" -11,5 NPT	1.5/16" -12 UN	45
W90 HN 20 HJ	1.1/4" -11,5 NPT	1.5/8" -12 UN	45
W90 HN 20 HJ 24	1.1/4" -11,5 NPT	1.7/8" -12 UN	48
W90 HN 24 HJ 20	1.1/2" -11,5 NPT	1.5/8" -12 UN	48
W90 HN 24 HJ	1.1/2" -11,5 NPT	1.7/8" -12 UN	48
W90 HN 32 HJ	2" -11,5 NPT	2.1/2" -12 UN	64

SW = sleutelmaat

### Productvarianten

W90 HN HJ VA Inschroefsok, bocht 90°, RVS