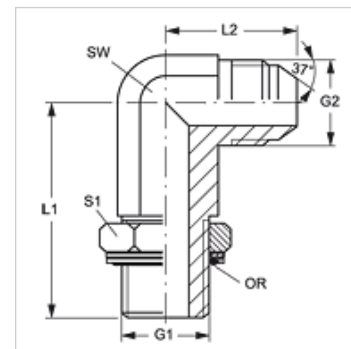


W90 HROK L HJ

Inschroefsok, lang, bocht 90°

Eigenschappen

| | |
|-----------------------------|----------------------------------|
| Aansluiting 1 | BSP-buitendraad cilindrisch |
| Afdichtingsvorm 1 | Draadsok met O-ring + kammerring |
| Aansluiting 2 | UN/UNF-buitendraad |
| Afdichtingsvorm 2 | 74° buitenconus |
| Constructie | Inschroef-sok lang |
| Uitvoering | Bochtstuk 90° |
| Materiaal | Staal |
| Oppervlakbescherming | Galvanisch gecoat |



Artikel

| Aanduiding | G1 | G2 | SW (mm) | L1 (mm) | L2 (mm) | S1 | OR |
|---------------------|------------|----------------|------------|------------|------------|----|--------------|
| W90 HROK L 04 HJ 06 | G 1/4" -19 | 9/16" -18 UNF | 14 | 56,5 | 27,0 | 19 | 10,78 x 2,62 |
| W90 HROK L 04 HJ 08 | G 1/4" -19 | 3/4" -16 UNF | 19 | 64,0 | 31,5 | 19 | 10,78 x 2,62 |
| W90 HROK L 06 HJ | G 3/8" -19 | 9/16" -18 UNF | 19 | 67,0 | 28,5 | 22 | 13,94 x 2,62 |
| W90 HROK L 06 HJ 08 | G 3/8" -19 | 3/4" -16 UNF | 19 | 67,0 | 31,5 | 22 | 13,94 x 2,62 |
| W90 HROK L 06 HJ 10 | G 3/8" -19 | 7/8" -14 UNF | 22 | 75,0 | 36,5 | 22 | 13,94 x 2,62 |
| W90 HROK L 08 HJ | G 1/2" -14 | 3/4" -16 UNF | 22 | 78,0 | 34,0 | 27 | 17,86 x 2,62 |
| W90 HROK L 08 HJ 06 | G 1/2" -14 | 9/16" -18 UNF | 22 | 78,0 | 31,0 | 27 | 17,86 x 2,62 |
| W90 HROK L 08 HJ 10 | G 1/2" -14 | 7/8" -14 UNF | 22 | 78,0 | 36,5 | 27 | 17,86 x 2,62 |
| W90 HROK L 08 HJ 12 | G 1/2" -14 | 1.1/16" -12 UN | 27 | 88,0 | 42,0 | 27 | 17,86 x 2,62 |
| W90 HROK L 12 HJ | G 3/4" -14 | 1.1/16" -12 UN | 27 | 92,0 | 42,0 | 36 | 23,47 x 2,62 |
| W90 HROK L 12 HJ 10 | G 3/4" -14 | 7/8" -14 UNF | 27 | 92,0 | 39,5 | 36 | 23,47 x 2,62 |
| W90 HROK L 12 HJ 16 | G 3/4" -14 | 1,5/16" -12 UN | 33 | 105,0 | 46,0 | 36 | 23,47 x 2,62 |
| W90 HROK L 16 HJ | G 1" -11 | 1,5/16" -12 UN | 33 | 105,0 | 44,5 | 41 | 29,74 x 3,53 |
| W90 HROK L 16 HJ 12 | G 1" -11 | 1.1/16" -12 UN | 33 | 105,0 | 44,5 | 41 | 29,74 x 3,53 |
| W90 HROK L 16 HJ 20 | G 1" -11 | 1,5/8" -12 UN | 41 | 124,0 | 52,0 | 41 | 29,74 x 3,53 |

SW, S1, S2 = sleutelmaat

Reserveonderdelen

KAMMRING G Kamerring, duims