

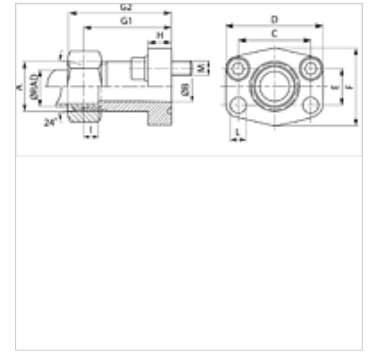
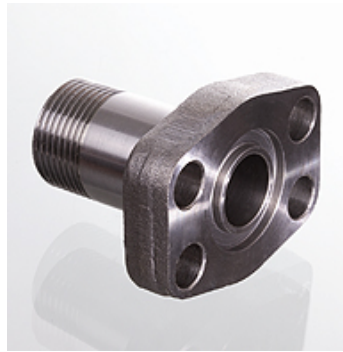
# AFG M (3000 PSI)

SAE-buitendraadflens

**HANSA FLEX**

## Eigenschappen

|                             |                      |
|-----------------------------|----------------------|
| <b>Drukserie</b>            | 3000 psi             |
| <b>Norm</b>                 | DIN 3901/3902        |
| <b>Uitvoering</b>           | recht                |
| <b>Constructie</b>          | SAE-buitendraadflens |
| <b>Bevestiging</b>          | Boutenboring         |
| <b>Leveromvang</b>          | Alleen flens         |
| <b>Materiaal</b>            | S355J2G3 (ST52.3)    |
| <b>Oppervlakbescherming</b> | Zwart geolied        |



## Aanwijzing

De aangegeven nominale druk is volgens SAE J 518 C door de flens resp. na de aan te lassen buis gedefinieerd.

Aanbevolen schroeven zijn in de kolommen M (metr) of M (unc) vermeld.

## Artikel

| Aanduiding           | Serie | Ø RAD (mm) | PB 10.9 (bar) | Maat   | A       | Ø B (mm) | C (mm) | E (mm) | G1 (mm) | I (mm) | L (mm) | M metr.   | M unc          |
|----------------------|-------|------------|---------------|--------|---------|----------|--------|--------|---------|--------|--------|-----------|----------------|
| <b>AFG 80 M/L15</b>  | L     | 15         | 315           | 1/2"   | M22x1,5 | 12       | 38,1   | 17,5   | 52      | 7,0    | 9,0    | M 8 x 30  | 5/16" x 1.1/4" |
| <b>AFG 100 M/L22</b> | L     | 22         | 160           | 3/4"   | M30x2   | 19       | 47,6   | 22,2   | 60      | 7,5    | 11,5   | M 10 x 30 | 3/8" x 1.1/4"  |
| <b>AFG 100 M/S20</b> | S     | 20         | 345           | 3/4"   | M30x2   | 16       | 47,6   | 22,2   | 60      | 10,5   | 11,5   | M 10 x 30 | 3/8" x 1.1/4"  |
| <b>AFG 102 M/L22</b> | L     | 22         | 160           | 1"     | M30x2   | 19       | 52,4   | 26,2   | 63      | 7,5    | 11,5   | M 10 x 30 | 3/8" x 1.1/4"  |
| <b>AFG 102 M/L28</b> | L     | 28         | 160           | 1"     | M36x2   | 24       | 52,4   | 26,2   | 63      | 7,5    | 11,5   | M 10 x 30 | 3/8" x 1.1/4"  |
| <b>AFG 102 M/S20</b> | S     | 20         | 315           | 1"     | M30x2   | 16       | 52,4   | 26,2   | 63      | 10,5   | 11,5   | M 10 x 30 | 3/8" x 1.1/4"  |
| <b>AFG 102 M/S25</b> | S     | 25         | 315           | 1"     | M36x2   | 20       | 52,4   | 26,2   | 63      | 12,0   | 11,5   | M 10 x 30 | 3/8" x 1.1/4"  |
| <b>AFG 104 M/L28</b> | L     | 28         | 160           | 1.1/4" | M36x2   | 24       | 58,7   | 30,2   | 65      | 7,5    | 11,5   | M 10 x 35 | 7/16" x 1.1/2" |
| <b>AFG 104 M/L35</b> | L     | 35         | 160           | 1.1/4" | M45x2   | 29       | 58,7   | 30,2   | 65      | 10,5   | 11,5   | M 10 x 35 | 7/16" x 1.1/2" |
| <b>AFG 104 M/S30</b> | S     | 30         | 250           | 1.1/4" | M42x2   | 25       | 58,7   | 30,2   | 65      | 13,5   | 11,5   | M 10 x 35 | 7/16" x 1.1/2" |
| <b>AFG 106 M/L42</b> | L     | 42         | 160           | 1.1/2" | M52x2   | 36       | 69,9   | 35,7   | 70      | 11,0   | 13,5   | M 12 x 35 | 1/2" x 1.1/2"  |
| <b>AFG 106 M/S38</b> | S     | 38         | 200           | 1.1/2" | M52x2   | 32       | 69,9   | 35,7   | 70      | 16,0   | 13,5   | M 12 x 35 | 1/2" x 1.1/2"  |

PN = nominale druk PB = max. werkdruk - Ø = buis-buitendiameter - Serie: LL = zeer licht L = licht S = zwaar

## Productvarianten

|                                  |   |
|----------------------------------|---|
| <b>AFG M M (3000 / 6000 PSI)</b> | SAE-buitendraadflens, Met metrische boutenset en O-ring |
| <b>AFG M U (3000 / 6000 PSI)</b> | SAE-buitendraadflens, Met UNC boutenset en O-ring       |