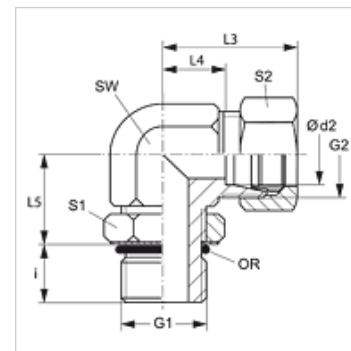


Eigenschappen

| | |
|-----------------------------|---|
| Aansluiting 1 | BSP-buitendraad cilindrisch |
| Afdichtingsvorm 1 | vorm G |
| Aansluiting 2 | Metrische buitendraad cilindrisch |
| Afdichtingsvorm 2 | 24° binnenconus |
| Constructie | Inschroefverbinding richting instelbaar |
| Uitvoering | Bochtstuk 90° |
| Leveromvang | Sok met wartelmoer en snijring |
| Materiaal | Staal |
| Oppervlakbescherming | Galvanisch gecoat |



Aanwijzing

Aanwijzingen voor de montage, inbouw, drukbelasting en toegestane werktemperaturen staan in de technische informatie voor schroefdraadpijpvverbindingen.

Artikel

| Aanduiding | Serie | Werkdruk bar | Ø d2 (mm) | G1 | G2 | i (mm) | L3 (mm) | L4 (mm) | L5 (mm) | SW (mm) | S1 | S2 | OR |
|-------------------|-------|--------------|-----------|--------------|------------|--------|---------|---------|---------|---------|----|----|--------------|
| EWOR NW 04 HL | L | PN 250 | 6 | G 1/8" -28 | M 12 x 1,5 | 8 | 26,5 | 12,0 | 21,5 | 12 | 14 | 14 | 8,00 x 1,50 |
| EWOR NW 06 HL | L | PN 250 | 8 | G 1/4" -19 | M 14 x 1,5 | 12 | 28,5 | 14,0 | 26,0 | 14 | 19 | 17 | 10,77 x 2,62 |
| EWOR NW 06 HL 3/8 | L | PN 250 | 8 | G 3/8" -19 | M 14 x 1,5 | 12 | 31,5 | 17,0 | 28,5 | 17 | 22 | 22 | 13,94 x 2,62 |
| EWOR NW 08 HL | L | PN 250 | 10 | G 1/4" -19 | M 16 x 1,5 | 12 | 29,5 | 15,0 | 26,0 | 14 | 19 | 19 | 10,77 x 2,62 |
| EWOR NW 10 HL | L | PN 250 | 12 | G 3/8" -19 | M 18 x 1,5 | 12 | 31,5 | 17,0 | 28,5 | 17 | 22 | 22 | 13,94 x 2,62 |
| EWOR NW 13 HL | L | PN 250 | 15 | G 1/2" -14 | M 22 x 1,5 | 14 | 36,0 | 21,0 | 33,5 | 19 | 27 | 27 | 17,86 x 2,62 |
| EWOR NW 16 HL | L | PN 160 | 18 | G 1/2" -14 | M 26 x 1,5 | 14 | 39,5 | 23,5 | 36,5 | 24 | 27 | 32 | 17,86 x 2,62 |
| EWOR NW 20 HL | L | PN 160 | 22 | G 3/4" -14 | M 30 x 2 | 16 | 43,5 | 27,5 | 41,0 | 27 | 32 | 36 | 23,47 x 2,62 |
| EWOR NW 25 HL | L | PN 100 | 28 | G 1" -11 | M 36 x 2 | 18 | 47,0 | 30,5 | 45,0 | 36 | 41 | 41 | 29,74 x 3,53 |
| EWOR NW 32 HL | L | PN 100 | 35 | G 1,1/4" -11 | M 45 x 2 | 20 | 56,0 | 34,5 | 50,0 | 41 | 50 | 50 | 37,69 x 3,53 |
| EWOR NW 40 HL | L | PN 100 | 42 | G 1,1/2" -11 | M 52 x 2 | 22 | 62,5 | 40,0 | 56,0 | 50 | 55 | 60 | 44,04 x 3,53 |
| EWOR NW 03 HS | S | PN 630 | 6 | G 1/4" -19 | M 14 x 1,5 | 12 | 30,5 | 15,0 | 26,0 | 12 | 19 | 17 | 10,77 x 2,62 |
| EWOR NW 04 HS | S | PN 630 | 8 | G 1/4" -19 | M 16 x 1,5 | 12 | 31,5 | 17,0 | 27,0 | 14 | 19 | 19 | 10,77 x 2,62 |
| EWOR NW 06 HS | S | PN 630 | 10 | G 3/8" -19 | M 18 x 1,5 | 12 | 33,5 | 17,5 | 28,5 | 17 | 22 | 22 | 13,94 x 2,62 |
| EWOR NW 08 HS | S | PN 630 | 12 | G 3/8" -19 | M 20 x 1,5 | 12 | 37,5 | 21,5 | 32,5 | 19 | 22 | 24 | 13,94 x 2,62 |
| EWOR NW 10 HS | S | PN 630 | 14 | G 1/2" -14 | M 22 x 1,5 | 14 | 39,5 | 22,0 | 33,5 | 19 | 27 | 27 | 17,86 x 2,62 |
| EWOR NW 13 HS | S | PN 400 | 16 | G 1/2" -14 | M 24 x 1,5 | 14 | 42,5 | 24,5 | 36,5 | 24 | 27 | 30 | 17,86 x 2,62 |
| EWOR NW 16 HS | S | PN 400 | 20 | G 3/4" -14 | M 30 x 2 | 16 | 47,0 | 26,5 | 41,0 | 27 | 32 | 36 | 23,47 x 2,62 |
| EWOR NW 20 HS | S | PN 400 | 25 | G 1" -11 | M 36 x 2 | 18 | 54,0 | 30,0 | 45,0 | 36 | 41 | 46 | 29,74 x 3,53 |
| EWOR NW 25 HS | S | PN 250 | 30 | G 1,1/4" -11 | M 42 x 2 | 20 | 62,0 | 35,5 | 50,0 | 41 | 50 | 50 | 37,69 x 3,53 |
| EWOR NW 32 HS | S | PN 250 | 38 | G 1,1/2" -11 | M 52 x 2 | 22 | 71,5 | 41,0 | 56,0 | 50 | 55 | 60 | 44,04 x 3,53 |

PN = nominale druk PB = max. werkdruk - Serie: LL = zeer licht L = licht S = zwaar - Ø d2 = buitendiameter buis

Productvarianten

XEWOR Inschroefverbinding, bocht 90°, Buissok (zonder wartelmoer en snijring)