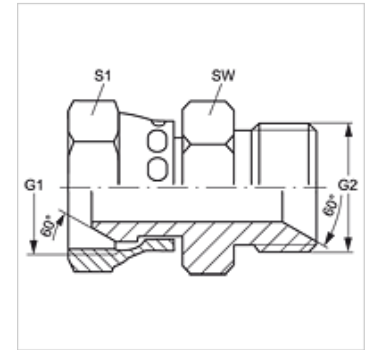
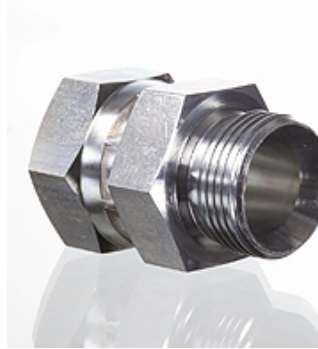


Eigenschappen

| | |
|----------------------|-----------------------------|
| Aansluiting 1 | BSP-moerdraad |
| Afdichtingsvorm 1 | 60° buitenconus |
| Aansluiting 2 | BSP-buitendraad cilindrisch |
| Afdichtingsvorm 2 | 60° binnenconus |
| Constructie | Connectors |
| Uitvoering | recht |
| Materiaal | Staal |
| Oppervlakbescherming | Galvanisch gecoat |



Artikel

| Aanduiding | G1 | G2 | SW (mm) | S1 |
|---------------|--------------|--------------|------------|----|
| G AB 02 HB | G 1/8" -28 | G 1/8" -28 | 14 | 14 |
| G AB 02 HB 04 | G 1/8" -28 | G 1/4" -19 | 19 | 14 |
| G AB 04 HB 02 | G 1/4" -19 | G 1/8" -28 | 14 | 19 |
| G AB 04 HB | G 1/4" -19 | G 1/4" -19 | 19 | 19 |
| G AB 04 HB 06 | G 1/4" -19 | G 3/8" -19 | 22 | 19 |
| G AB 04 HB 08 | G 1/4" -19 | G 1/2" -14 | 27 | 19 |
| G AB 06 HB 04 | G 3/8" -19 | G 1/4" -19 | 19 | 22 |
| G AB 06 HB | G 3/8" -19 | G 3/8" -19 | 22 | 22 |
| G AB 06 HB 08 | G 3/8" -19 | G 1/2" -14 | 27 | 22 |
| G AB 06 HB 12 | G 3/8" -19 | G 3/4" -14 | 32 | 22 |
| G AB 08 HB 04 | G 1/2" -14 | G 1/4" -19 | 19 | 27 |
| G AB 08 HB 06 | G 1/2" -14 | G 3/8" -19 | 22 | 27 |
| G AB 08 HB | G 1/2" -14 | G 1/2" -14 | 27 | 27 |
| G AB 08 HB 10 | G 1/2" -14 | G 5/8" -14 | 30 | 27 |
| G AB 08 HB 12 | G 1/2" -14 | G 3/4" -14 | 32 | 27 |
| G AB 08 HB 16 | G 1/2" -14 | G 1" -11 | 41 | 27 |
| G AB 10 HB 06 | G 5/8" -14 | G 3/8" -19 | 30 | 30 |
| G AB 10 HB 08 | G 5/8" -14 | G 1/2" -14 | 27 | 30 |
| G AB 10 HB | G 5/8" -14 | G 5/8" -14 | 30 | 30 |
| G AB 10 HB 12 | G 5/8" -14 | G 3/4" -14 | 32 | 30 |
| G AB 10 HB 16 | G 5/8" -14 | G 1" -11 | 41 | 30 |
| G AB 12 HB 06 | G 3/4" -14 | G 3/8" -19 | 27 | 32 |
| G AB 12 HB 08 | G 3/4" -14 | G 1/2" -14 | 27 | 32 |
| G AB 12 HB 10 | G 3/4" -14 | G 5/8" -14 | 30 | 32 |
| G AB 12 HB | G 3/4" -14 | G 3/4" -14 | 32 | 32 |
| G AB 12 HB 16 | G 3/4" -14 | G 1" -11 | 41 | 32 |
| G AB 12 HB 20 | G 3/4" -14 | G 1,1/4" -11 | 50 | 32 |
| G AB 16 HB 08 | G 1" -11 | G 1/2" -14 | 32 | 41 |
| G AB 16 HB 10 | G 1" -11 | G 5/8" -14 | 32 | 41 |
| G AB 16 HB 12 | G 1" -11 | G 3/4" -14 | 32 | 41 |
| G AB 16 HB | G 1" -11 | G 1" -11 | 41 | 41 |
| G AB 16 HB 20 | G 1" -11 | G 1,1/4" -11 | 50 | 41 |
| G AB 20 HB 12 | G 1,1/4" -11 | G 3/4" -14 | 41 | 50 |
| G AB 20 HB 16 | G 1,1/4" -11 | G 1" -11 | 41 | 50 |
| G AB 20 HB | G 1,1/4" -11 | G 1,1/4" -11 | 50 | 50 |
| G AB 20 HB 24 | G 1,1/4" -11 | G 1,1/2" -11 | 55 | 50 |
| G AB 24 HB 20 | G 1,1/2" -11 | G 1,1/4" -11 | 50 | 55 |
| G AB 24 HB | G 1,1/2" -11 | G 1,1/2" -11 | 55 | 55 |
| G AB 24 HB 32 | G 1,1/2" -11 | G 2" -11 | 70 | 55 |
| G AB 32 HB 24 | G 2" -11 | G 1,1/2" -11 | 60 | 70 |
| G AB 32 HB | G 2" -11 | G 2" -11 | 70 | 70 |

SW, S1, S2 = sleutelmaat

Productvarianten

G AB HB VA Connectors, RVS