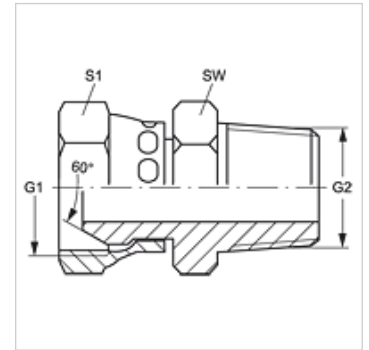


Eigenschappen

Aansluiting 1	NPT inwendige schroefdraad (NPSM)
Afdichtingsvorm 1	60° buitenconus
Aansluiting 2	NPT-buitendraad
Afdichtingsvorm 2	draaddichtend
Constructie	Inschroefsok
Uitvoering	recht
Materiaal	Staal
Oppervlakbescherming	Galvanisch gecoat



Artikel

Aanduiding	G1	G2	SW (mm)	S1
G AN 02 HN	1/8" -27 NPT	1/8" -27 NPT	14	14
G AN 04 HN	1/4" -18 NPT	1/4" -18 NPT	18	18
G AN 04 HN 02	1/4" -18 NPT	1/8" -27 NPT	16	18
G AN 04 HN 06	1/4" -18 NPT	3/8" -18 NPT	18	18
G AN 06 HN	3/8" -18 NPT	3/8" -18 NPT	22	22
G AN 06 HN 04	3/8" -18 NPT	1/4" -18 NPT	21	22
G AN 06 HN 08	3/8" -18 NPT	1/2" -14 NPT	22	22
G AN 08 HN	1/2" -14 NPT	1/2" -14 NPT	25	25
G AN 08 HN 04	1/2" -14 NPT	1/4" -18 NPT	24	25
G AN 08 HN 06	1/2" -14 NPT	3/8" -18 NPT	24	25
G AN 08 HN 12	1/2" -14 NPT	3/4" -14 NPT	29	25
G AN 12 HN	3/4" -14 NPT	3/4" -14 NPT	32	32
G AN 12 HN 08	3/4" -14 NPT	1/2" -14 NPT	32	32
G AN 12 HN 16	3/4" -14 NPT	1" -11,5 NPT	35	38
G AN 16 HN	1" -11,5 NPT	1" -11,5 NPT	38	38
G AN 16 HN 12	1" -11,5 NPT	3/4" -14 NPT	38	38
G AN 20 HN	1,1/4" -11,5 NPT	1,1/4" -11,5 NPT	48	48
G AN 24 HN 16	1,1/2" -11,5 NPT	1" -11,5 NPT	45	54
G AN 24 HN	1,1/2" -11,5 NPT	1,1/2" -11,5 NPT	54	54
G AN 32 HN	2" -11,5 NPT	2" -11,5 NPT	67	67

SW, S1, S2 = sleutelmaat