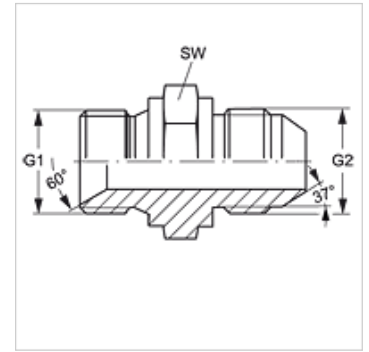


Eigenschappen

| | |
|----------------------|-----------------------------|
| Afdichtingsvorm 1 | 60° binnenconus |
| Aansluiting 1 | BSP-buitendraad cilindrisch |
| Aansluiting 2 | UN/UNF-buitendraad |
| Afdichtingsvorm 2 | 74° buitenconus |
| Constructie | Verbindings-sok |
| Uitvoering | recht |
| Materiaal | Staal |
| Oppervlakbescherming | Galvanisch gecoat |



Artikel

| Aanduiding | G1 | G2 | SW (mm) |
|---------------|--------------|----------------|------------|
| G HB 02 HJ 10 | G 1/8" -28 | 7/8" -14 UNF | 24 |
| G HB 04 HJ 10 | G 1/4" -19 | 7/8" -14 UNF | 24 |
| G HB 08 HJ 05 | G 1/2" -14 | 1/2" -20 UNF | 27 |
| G HB 08 HJ 14 | G 1/2" -14 | 1,3/16" -12 UN | 32 |
| G HB 08 HJ 16 | G 1/2" -14 | 1,5/16" -12 UN | 41 |
| G HB 10 HJ 08 | G 5/8" -14 | 3/4" -16 UNF | 27 |
| G HB 10 HJ | G 5/8" -14 | 7/8" -14 UNF | 27 |
| G HB 10 HJ 12 | G 5/8" -14 | 1.1/16" -12 UN | 32 |
| G HB 10 HJ 16 | G 5/8" -14 | 1,5/16" -12 UN | 41 |
| G HB 12 HJ 06 | G 3/4" -14 | 9/16" -18 UNF | 32 |
| G HB 12 HJ 14 | G 3/4" -14 | 1,3/16" -12 UN | 32 |
| G HB 12 HJ 20 | G 3/4" -14 | 1,5/8" -12 UN | 50 |
| G HB 16 HJ 08 | G 1" -11 | 3/4" -16 UNF | 41 |
| G HB 16 HJ 10 | G 1" -11 | 7/8" -14 UNF | 41 |
| G HB 16 HJ 14 | G 1" -11 | 1,3/16" -12 UN | 41 |
| G HB 20 HJ 12 | G 1,1/4" -11 | 1.1/16" -12 UN | 50 |
| G HB 24 HJ 16 | G 1,1/2" -11 | 1,5/16" -12 UN | 55 |
| G HB 24 HJ 32 | G 1,1/2" -11 | 2,1/2" -12 UN | 60 |
| G HB 32 HJ 24 | G 2" -11 | 1,7/8" -12 UN | 60 |
| G HB 32 HJ | G 2" -11 | 2,1/2" -12 UN | 60 |

SW = sleutelmaat