

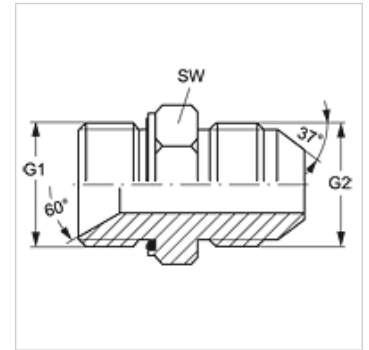
G HBED HJ VA

Verbindingsok

HANSA FLEX

Eigenschappen

Afdichtingsvorm 1	60° binnenconus + vorm E
Aansluiting 1	BSP-buitendraad cilindrisch
Aansluiting 2	UN/UNF-buitendraad
Afdichtingsvorm 2	74° buitenconus
Constructie	Verbindings-sok
Uitvoering	recht
Materiaal	RVS



Bestelaanwijzingen

NBR afdichtingen

FPM (Viton) op aanvraag

Artikel

Aanduiding	G1	G2	SW (mm)
G HBED 02 HJ 04 VA	G 1/8" -28	7/16" -20 UNF	14
G HBED 02 HJ 05 VA	G 1/8" -28	1/2" -20 UNF	14
G HBED 02 HJ 06 VA	G 1/8" -28	9/16" -18 UNF	16
G HBED 04 HJ VA	G 1/4" -19	7/16" -20 UNF	19
G HBED 04 HJ 05 VA	G 1/4" -19	1/2" -20 UNF	19
G HBED 04 HJ 06 VA	G 1/4" -19	9/16" -18 UNF	19
G HBED 04 HJ 08 VA	G 1/4" -19	3/4" -16 UNF	19
G HBED 06 HJ 04 VA	G 3/8" -19	7/16" -20 UNF	22
G HBED 06 HJ 05 VA	G 3/8" -19	1/2" -20 UNF	22
G HBED 06 HJ VA	G 3/8" -19	9/16" -18 UNF	22
G HBED 06 HJ 08 VA	G 3/8" -19	3/4" -16 UNF	22
G HBED 06 HJ 10 VA	G 3/8" -19	7/8" -14 UNF	24
G HBED 08 HJ 04 VA	G 1/2" -14	7/16" -20 UNF	27
G HBED 08 HJ 06 VA	G 1/2" -14	9/16" -18 UNF	30
G HBED 08 HJ VA	G 1/2" -14	3/4" -16 UNF	30
G HBED 08 HJ 10 VA	G 1/2" -14	7/8" -14 UNF	30
G HBED 08 HJ 12 VA	G 1/2" -14	1.1/16" -12 UN	30
G HBED 12 HJ 08 VA	G 3/4" -14	3/4" -16 UNF	36
G HBED 12 HJ 10 VA	G 3/4" -14	7/8" -14 UNF	36
G HBED 12 HJ VA	G 3/4" -14	1.1/16" -12 UN	36
G HBED 12 HJ 16 VA	G 3/4" -14	1,5/16" -12 UN	36
G HBED 16 HJ 10 VA	G 1" -11	7/8" -14 UNF	41
G HBED 16 HJ 12 VA	G 1" -11	1.1/16" -12 UN	41
G HBED 16 HJ VA	G 1" -11	1,5/16" -12 UN	41
G HBED 16 HJ 20 VA	G 1" -11	1,5/8" -12 UN	46
G HBED 20 HJ 16 VA	G 1,1/4" -11	1,5/16" -12 UN	50
G HBED 20 HJ VA	G 1,1/4" -11	1,5/8" -12 UN	50
G HBED 20 HJ 24 VA	G 1,1/4" -11	1,7/8" -12 UN	50
G HBED 24 HJ 20 VA	G 1,1/2" -11	1,5/8" -12 UN	55
G HBED 24 HJ VA	G 1,1/2" -11	1,7/8" -12 UN	55

SW = sleutelmaat

Productvarianten

G HBED HJ Verbindingsok, Staal

Reserveonderdelen

WD V Zachte afdichting JIC