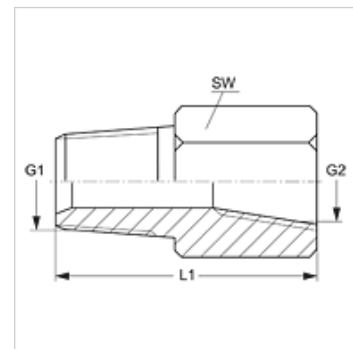


# G HN IN VA

## Verbindingsok

### Eigenschappen

Aansluiting 1	NPT-buitendraad
Afdichtingsvorm 1	draaddichtend
Aansluiting 2	NPT-binnendraad
Afdichtingsvorm 2	draaddichtend
Constructie	Verbindings-sok
Uitvoering	recht
Materiaal	RVS



### Artikel

Aanduiding	G1	G2	SW (mm)
G HN 02 IN VA	1/8" -27 NPT	1/8" -27 NPT	16
G HN 02 IN 04 VA	1/8" -27 NPT	1/4" -18 NPT	19
G HN 02 IN 08 VA	1/8" -27 NPT	1/2" -14 NPT	29
G HN 04 IN VA	1/4" -18 NPT	1/4" -18 NPT	19
G HN 04 IN 02 VA	1/4" -18 NPT	1/8" -27 NPT	19
G HN 04 IN 06 VA	1/4" -18 NPT	3/8" -18 NPT	22
G HN 04 IN 08 VA	1/4" -18 NPT	1/2" -14 NPT	29
G HN 06 IN VA	3/8" -18 NPT	3/8" -18 NPT	22
G HN 06 IN 02 VA	3/8" -18 NPT	1/8" -27 NPT	22
G HN 06 IN 04 VA	3/8" -18 NPT	1/4" -18 NPT	19
G HN 06 IN 08 VA	3/8" -18 NPT	1/2" -14 NPT	29
G HN 08 IN 02 VA	1/2" -14 NPT	1/8" -27 NPT	29
G HN 08 IN 12 VA	1/2" -14 NPT	3/4" -14 NPT	35
G HN 08 IN 04 VA	1/2" -14 NPT	1/4" -18 NPT	29
G HN 08 IN 06 VA	1/2" -14 NPT	3/8" -18 NPT	29
G HN 12 IN 04 VA	3/4" -14 NPT	1/4" -18 NPT	35
G HN 12 IN 06 VA	3/4" -14 NPT	3/8" -18 NPT	35
G HN 12 IN 08 VA	3/4" -14 NPT	1/2" -14 NPT	35
G HN 16 IN 08 VA	1" -11,5 NPT	1/2" -14 NPT	42
G HN 16 IN 12 VA	1" -11,5 NPT	3/4" -14 NPT	42

SW = sleutelmaat

### Productvarianten

G HN IN Verbindingsok, Staal